

# PARTS CATALOG 2006



1300 ARIZONA PLACE • PO BOX 227  
ORANGE CITY, IOWA • 51041  
800-658-3866 • [WWW.SILENTDRIVE.COM](http://WWW.SILENTDRIVE.COM)

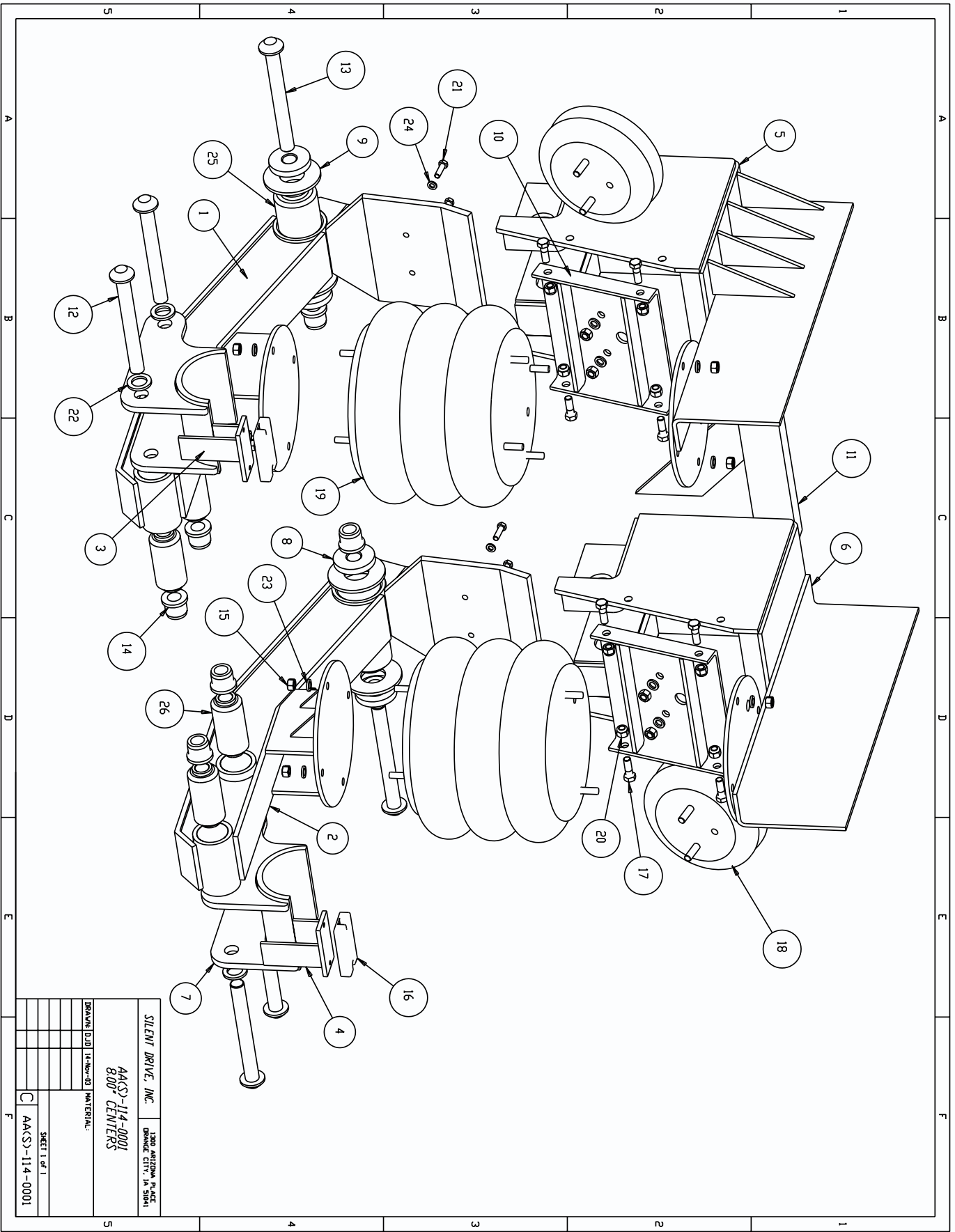
# TABLE OF CONTENTS

## AIR UP - AIR DOWN STEERABLES

AAS-114 – 8.00” Centers .....	1
AAS-114 – 4.00” Centers .....	3
AAS-115 – 8.00” Centers .....	5
AAS-115 – 4.00” Centers .....	7
AAS-118 .....	9
AAS-240 .....	11
AAS-270 .....	13
AAS-721 .....	15
AAS-721-FA .....	17
AAS-724 .....	19
AAS-727-LT .....	21
AAS-727-SH .....	23
AAS-740 .....	25
AAS-770 .....	27
AAS-1355 .....	29
AAS-1455 .....	31

## AAS-1 1 4 Suspension - 8.00" Centers

	PART NO:	QUANTITY	DESCRIPTION
26	PB-5000	4	Axle Seat Bushings
	PB-5000K	1	4 Axle Seat Bushings, Bolts & Lock Nut
25	PB-3000	2	Pull Arm Bushing
	PB-3000K	1	2 Pull Arm Bushings, Bolts, Lock Nuts &
			4 Wear Washers
24	LW 38ZV	4	3/8" Lock Washer
23	LW 12ZV	16	1/2" Lock Washer
22	HWX18	4	1 1/8" Washer
21	HCC6 20Z	4	3/8-16 UNC x 1 1/4" HHCS Gr. 5
20	CLN12CCW	8	1/2-13 Lock Nut
19	AS-7800	2	Airspring, Suspension 242.00 \$ EA
18	AS-6882	2	Lift Airspring 140.00 \$ EA
17	ACC8 24ZD	8	1/2-13 UNC x 1 1/2" HHCS Gr 8 1.00 \$ EA
16	AB-1200K	1	Axle Bumper Kit 60.00 \$ EA
15	8C8DZD	16	1/2-13 UNC Hex Nut Gr. 8 0.50 \$ EA
14	100RXSC5	6	Huck Spin Collar N/A N/A
13	100R662XST8	2	1"x 9 1/4" Huck Bolt N/A N/A
12	100R618XST8	4	1" x 8 3/4" Huck Bolt N/A N/A
	AC1 95K	2	1 Repl. Pull Arm Bolt, Lock Nut, Washer
	HSB1 8A490K	4	1 Repl. Axle Seat Bolt, Lock Nut, Washer
11	1755-6000	1	Cross Member 60.00 \$ EA
10	1755-2500	2	Plate, Lift Airspring Cover 58.00 \$ EA
9	1750-1011	4	Pull Arm Hardened Washer 6.00 \$ EA
8	421-01-9000	4	Collar, Sliding Alignment 12.00 \$ EA
7	115-5010	2	Axle Seat Assembly 196.00 \$ EA
6	115-2000K	1	RH Hanger Assembly 600.00 \$ EA
5	115-1000K	1	LH Hanger Assembly 600.00 \$ EA
(Hanger Assemblies Include Two Sliding Alignment Collars)			
4	114-6100	1	Bracket, Axle Stop 24.00 \$ EA
3	114-6000	1	Bracket, Axle Stop 24.00 \$ EA
2	114-4010K	1	RH Pull Arm Assembly 760.00 \$ EA
1	114-3010K	1	LH Pull Arm Assembly 760.00 \$ EA
(Pull Arm Assemblies Include all Bushings, Bolts, Wear Washers, and Nuts)			



DRAWN DJD 14-Nov-03 MATERIAL:	
SILENT DRIVE, INC. 1380 ARIZONA PLACE 8000 CENTERS BRANDON CITY, LA 70804	
AACS-114-0001	
SHEET 1 OF 1	
C	AACS-114-0001

## AAS-1 1 4 Suspension - 4.00" Centers

	PART NO:	QUANTITY	DESCRIPTION LIST
26	PB-5000	4	Axle Seat Bushings
	PB-5000K	1	4 Axle Seat Bushings, Bolts & Lock Nut
25	PB-3000	2	Pull Arm Bushing
	PB-3000K	1	2 Pull Arm Bushings, Bolts, Lock Nuts &
			4 Wear Washers
24	LW 38ZV	4	3/8" Lock Washer
23	LW 12ZV	16	1/2" Lock Washer
22	HWX18	4	1 1/8" Washer
21	HCC6 20Z	4	3/8-16 UNC x 1 1/4" HHCS Gr. 5
20	CLN12CCW	8	1/2-13 Lock Nut
19	AS-7800	2	Airspring, Suspension
18	AS-6882	2	Lift Airspring
17	ACC8 24ZD	8	1/2-13 UNC x 1 1/2" HHCS Gr 8
16	AB-1200K	1	Axle Bumper Kit
15	8C8DZD	16	1/2-13 UNC Hex Nut Gr. 8
14	100RXSC5	6	Huck Spin Collar
13	100R662XST8	2	1"x 9 1/4" Huck Bolt
12	100R618XST8	4	1" x 8 3/4" Huck Bolt
	AC1 95K 2	1	Repl. Pull Arm Bolt, Lock Nut, Washer
	HSB1 8A490K	4	1 Repl. Axle Seat Bolt, Lock Nut, Washer
11	1755-6000	1	Cross Member
10	1755-2500	2	Plate, Lift Airspring Cover
9	1750-1011	4	Pull Arm Hardened Washer
8	421-01-9000	4	Collar, Sliding Alignment
7	115-5000	2	Axle Seat Assembly
6	115-2000K	1	RH Hanger Assembly
5	115-1000K	1	LH Hanger Assembly
(Hanger Assemblies Include Two Sliding Alignment Collars)			
4	114-6100	1	Bracket, Axle Stop
3	114-6000	1	Bracket, Axle Stop
2	114-4000K	1	RH Pull Arm Assembly
1	114-3000K	1	LH Pull Arm Assembly
(Pull Arm Assemblies Include all Bushings, Bolts, Wear Washers, and Nuts)			



## AAS-1 15 Suspension - 8.00" Centers

	PART NO:	QUANTITY	DESCRIPTION
26	PB-5000	4	Axle Seat Bushings
	PB-5000K	1	4 Axle Seat Bushings, Bolts & Lock Nut
25	PB-3000	2	Pull Arm Bushing
	PB-3000K	1	2 Pull Arm Bushings, Bolts, Lock Nuts & 4 Wear Washers
24	LW 38ZV	4	3/8" Lock Washer
23	LW 12ZV	12	1/2" Lock Washer
22	HWX18	4	1 1/8" Washer
21	HCC6 20Z	4	3/8-16 UNC x 1 1/4" HHCS Gr. 5
20	CLN12CCW	8	1/2-13 Lock Nut
19	AS-7800	2	Airspring, Suspension
18	AS-6882	2	Lift Airspring
17	ACC8 24ZD	8	1/2-13 UNC x 1 1/2" HHCS Gr 8
16	AB-1200K	1	Axle Bumper Kit
15	8C8DZD	12	1/2-13 UNC Hex Nut Gr. 8
14	100RXSC5	6	Huck Spin Collar
13	100R662XST8	2	1"x 9 1/4" Huck Bolt
12	100R618XST8	4	1" x 8 3/4" Huck Bolt
	AC1 95K	2	1 Repl. Pull Arm Bolt, Lock Nut, Washer
	HSB1 8A490K	4	1 Repl. Axle Seat Bolt, Lock Nut, Washer
11	1755-6000	1	Cross Member
10	1755-2500	2	Plate, Lift Airspring Cover
9	1750-1011	4	Pull Arm Hardened Washer
8	421-01-9000	4	Collar, Sliding Alignment
7	115-6200	1	RH Axle Stop Bracket
6	115-6100	1	LH Axle Stop Bracket
5	115-5010	2	Axle Seat Assembly
4	115-4010K	1	RH Pull Arm Assembly
3	115-3010K	1	LH Pull Arm Assembly
(Pull Arm Assemblies Include all Bushings, Bolts, Wear Washer, and Nuts)			
2	115-2000K	1	RH Hanger Assembly
1	115-1000K	1	LH Hanger Assembly
(Hanger Assemblies Include Two Sliding Alignment Collars)			



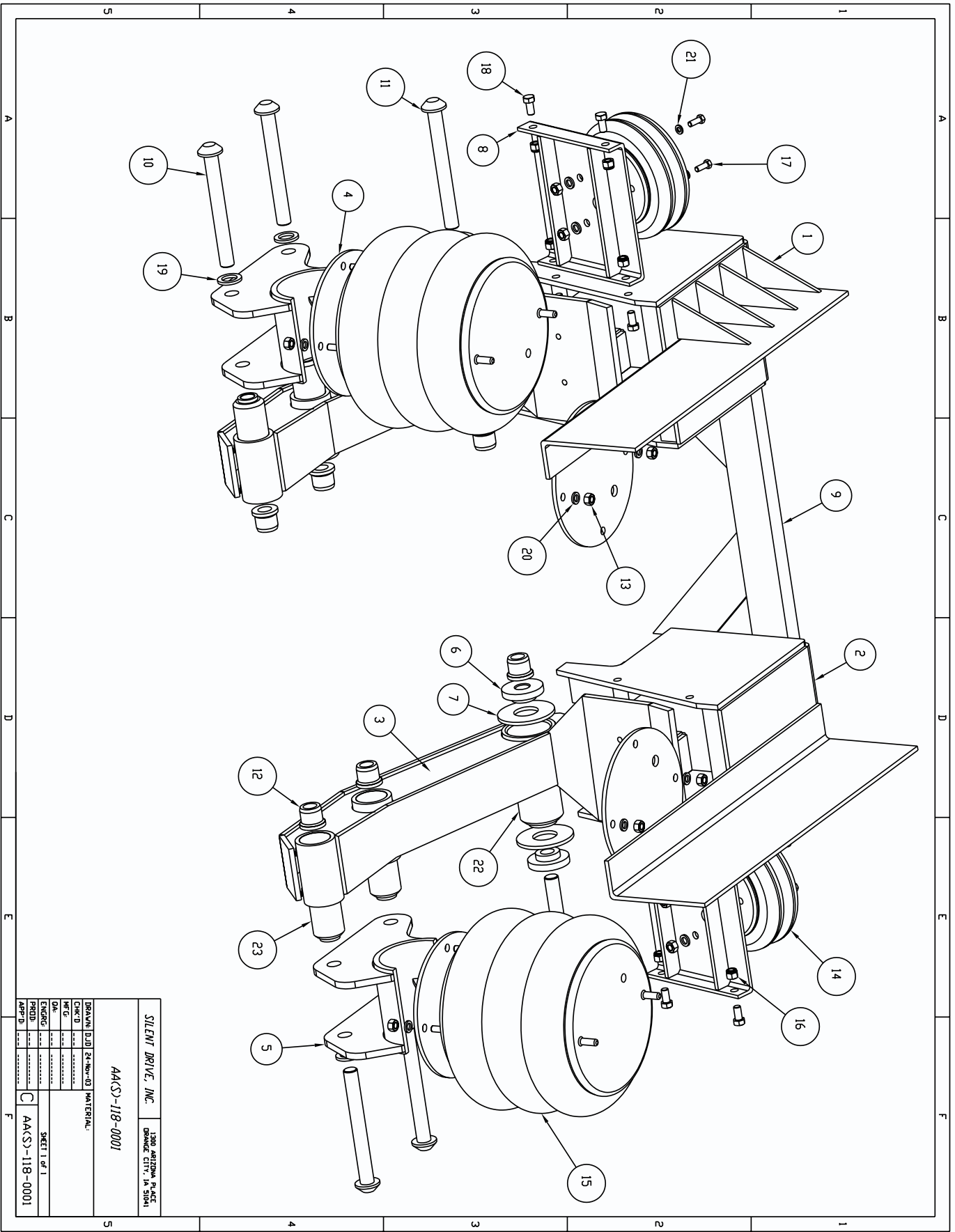
## AAS-1 15 Suspension - 4.00" Centers

	PART NO:	QUANTITY	DESCRIPTION
26	PB-5000	4	Axle Seat Bushings
	PB-5000K	1	4 Axle Seat Bushings, Bolts & Lock Nut
25	PB-3000	2	Pull Arm Bushing
	PB-3000K	1	2 Pull Arm Bushings, Bolts, Lock Nuts & 4 Wear Washers
24	LW 38ZV	4	3/8" Lock Washer
23	LW 12ZV	12	1/2" Lock Washer
22	HWX18	4	1 1/8" Washer
21	HCC6 20Z	4	3/8-16 UNC x 1 1/4" HHCS Gr. 5
20	CLN12CCW	8	1/2-13 Lock Nut
19	AS-7800	2	Airspring, Suspension
18	AS-6882	2	Lift Airspring
17	ACC8 24ZD	8	1/2-13 UNC x 1 1/2" HHCS Gr 8
16	AB-1200K	1	Axle Bumper Kit
15	8C8DZD	12	1/2-13 UNC Hex Nut Gr. 8
14	100RXSC5	6	Huck Spin Collar
13	100R662XST8	2	1"x 9 1/4" Huck Bolt
12	100R618XST8	4	1" x 8 3/4" Huck Bolt
	AC1 95K	2	1 Repl. Pull Arm Bolt, Lock Nut, Washer
	HSB1 8A490K	4	1 Repl. Axle Seat Bolt, Lock Nut, Washer
11	1755-6000	1	Cross Member
10	1755-2500	2	Plate, Lift Airspring Cover
9	1750-1011	4	Pull Arm Hardened Washer
8	421-01-9000	4	Collar, Sliding Alignment
7	115-6200	1	RH Axle Stop Bracket
6	115-6100	1	LH Axle Stop Bracket
5	115-5000	2	Axle Seat Assembly
4	115-4000K	1	RH Pull Arm Assembly
3	115-3000K	1	LH Pull Arm Assembly
[Pull Arm Assemblies Include all Bushings, Bolts, Wear Washer, and Nuts]			
2	115-2000K	1	RH Hanger Assembly
1	115-1000K	1	LH Hanger Assembly
[Hanger Assemblies Include Two Sliding Alignment Collars]			



## AAS-1 18 Suspension

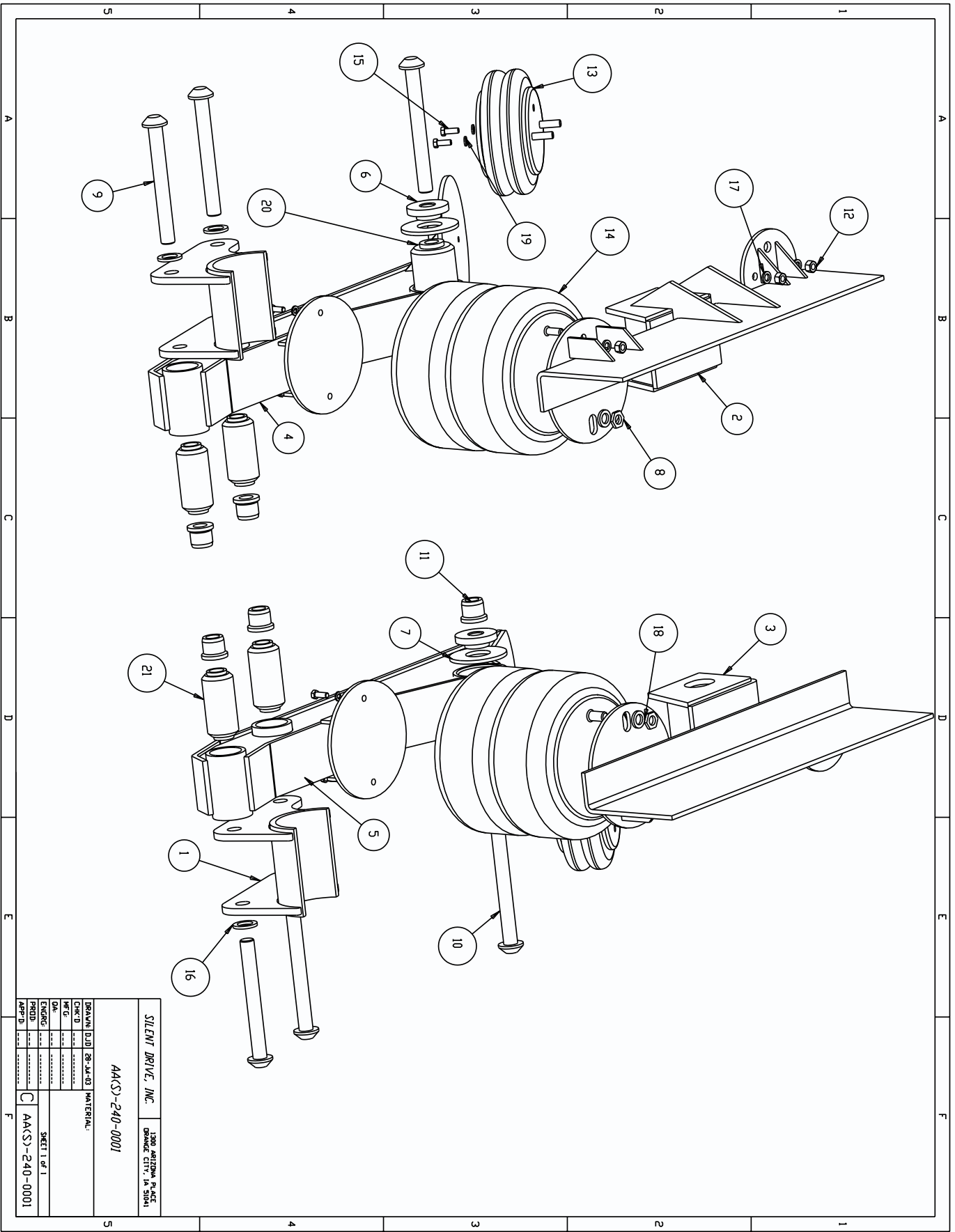
	PART NO:	QUANTITY	DESCRIPTION
23	PB-5000	4	Axle Seat Bushings
	PB-5000K	1	4 Axle Seat Bushings, Bolts & Lock Nut
22	PB-3000	2	Pull Arm Bushing
	PB-3000K	1	2 Pull Arm Bushings, Bolts,
			Lock Nuts & 4 Wear Washers
21	LW 38ZV	4	3/8" Lock Washer
20	LW 12ZV	12	1/2" Lock Washer
19	HWX18 4	1	1/8" Washer
18	ACC8 24ZD	8	1/2-13 UNC x 1 1/2" HHCS Gr 8
17	HCC6 16Z	4	3/8-16 UNC x 1" HHCS Gr. 5
16	CLN12CCW	8	1/2-13 Lock Nut
15	AS-7800	2	Airspring, Suspension
14	AS-6882	2	Lift Airspring
13	8C8DZD	12	1/2-13 UNC Hex Nut Gr. 8
12	100RXSC5	6	Huck Spin Collar
11	100R662XST8	2	1"x 9 1/4" Huck Bolt
10	100R618XST8	4	1" x 8 3/4" Huck Bolt
	AC1 95K	2	1 Repl. Pull Arm Bolt, Lock Nut, Washer
	HSB1 8A490K	4	1 Repl. Axle Seat Bolt, Lock Nut, Washer
9	1755-6000	1	Cross Member
8	1755-2500	2	Plate, Lift Airspring Cover
7	1750-1011	4	Pull Arm Hardened Washer
6	421-01-9000	4	Collar, Sliding Alignment
5	135-5000	2	Axle Seat Assembly
4	118-6000	2	Lower Airspring Plate Assembly
3	118-3000K	2	Pull Arm Assembly
[Pull Arm Assemblies Include all Bushings, Bolts, Wear Washer, and Nuts]			
2	118-2000K	1	RH Hanger Assembly
1	118-1000K	1	LH Hanger Assembly
[Hanger Assemblies Include Two Sliding Alignment Collars]			



SILENT DRIVE, INC.		1380 ARIZONA PLACE
AAKS-118-0001		BRIDGE CITY, LA 70814
DRAWN	DJD	24-Nov-03 MATERIAL
CHECK'D		
WF G		
QA		
ENGINEG		
PRO'D		
APP'D		
C AAKS-118-0001		SHEET 1 OF 1

## AAS-240 Suspension

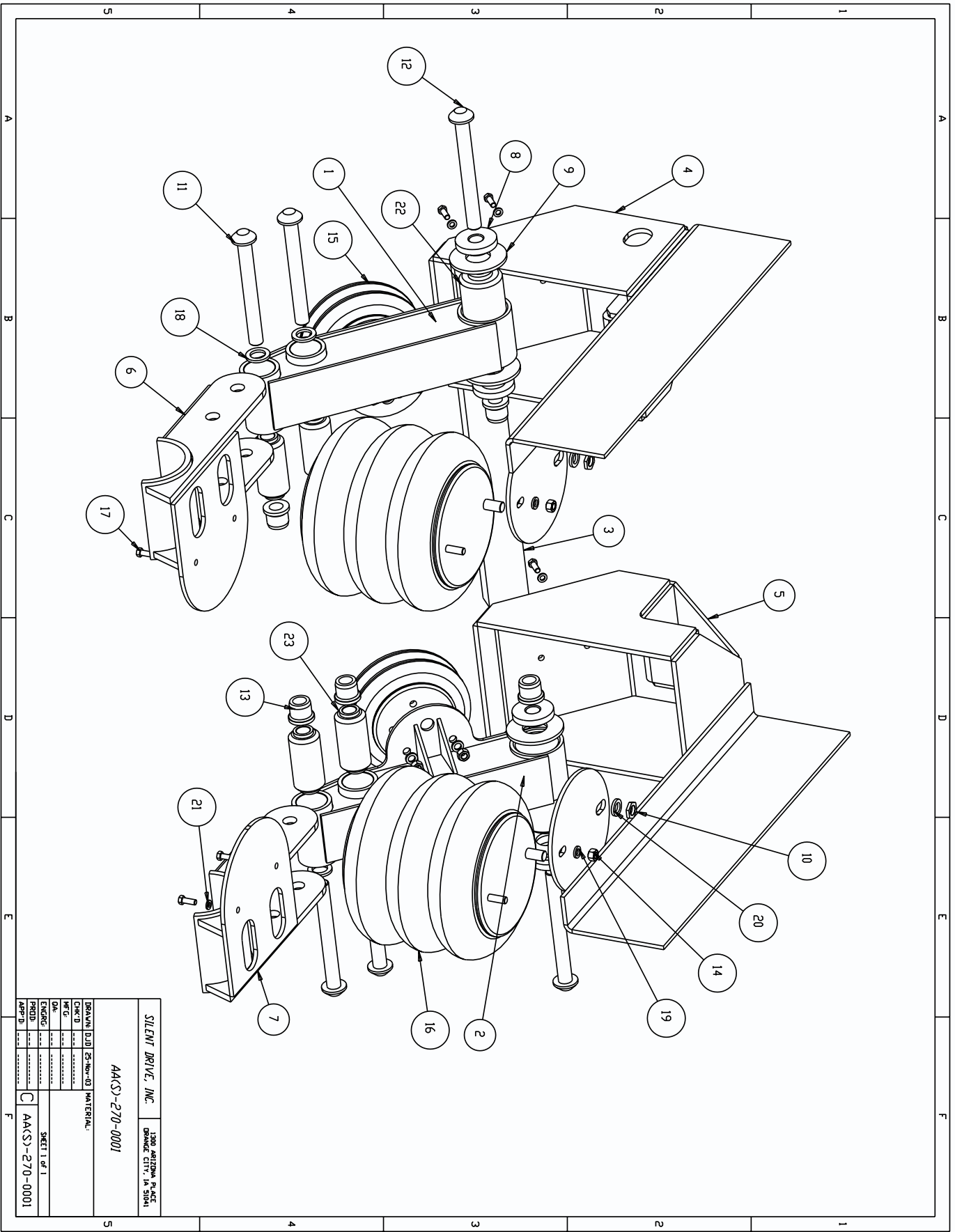
	PART NO:	QUANTITY	DESCRIPTION
21	PB-5000	4	Axle Seat Bushings
	PB-5000K	1	4 Axle Seat Bushings, Bolts, & Lock Nut
20	PB-3000	2	Pull Arm Bushing
	PB-3000K	1	2 Pull Arm Bushings, Bolts,
			Lock Nuts & 4 Wear Washers .
19	LW 38ZV	8	3/8" Lock Washer
18	LW 34ZV	2	3/4" Lock Washer
17	LW 12ZV	6	1/2" Lock Washer
16	HWX18	4	1 1/8" Washer
15	HCC6 16Z	8	Bolt 3/8-16 x 1" HX Cap Gr. 5 Z
14	AS-7446	2	Suspension Airspring
13	AS-6882	2	Lift Airspring
12	8C8DZD	6	1/2-13 UNC Hex Nut Gr. 8
11	100RXSC5	6	Huck Spin Collar
10	100R662XST8	2	1"x 9 1/4" Huck Bolt
9	100R618XST8	4	1" x 8 3/4" Huck Bolt
	AC1 95K	2	1 Repl. Pull Arm Bolt, Lock Nut, Washer
	HSB1 8A490K	4	1 Repl. Axle Seat Bolt, Lock Nut,Washer
8	341248	2	Nut, Jam 3/4"-16
7	1750-1011	4	Pull Arm Hardened Washer
6	421-01-9000	4	Collar, Sliding Alignment
5	240-4010K	1	RH Pull Arm Assembly
4	240-3010K	1	LH Pull Arm Assembly
[Pull Arm Assemblies Include All Bushings, Bolts, Wear Washer, and Nuts]			
3	240-2000K	1	RH Hanger Assembly
2	240-1000K	1	LH Hanger Assembly
[Hanger Assemblies Include Two Sliding Alignment Collars]			
1	115-5010	2	Axle Seat Assembly



SILENT DRIVE, INC.		1380 ARIZONA PLACE
AA(S)-240-0001		BRIDGE CITY, LA 70304
DRAWN	DJD	28-JUL-83
CHECK'D		MATERIAL
APP'D		
ENG'G		
PRO'D		
APP'D		
SHEET 1 OF 1		
C		AA(S)-240-0001

## AAS-270 Suspension

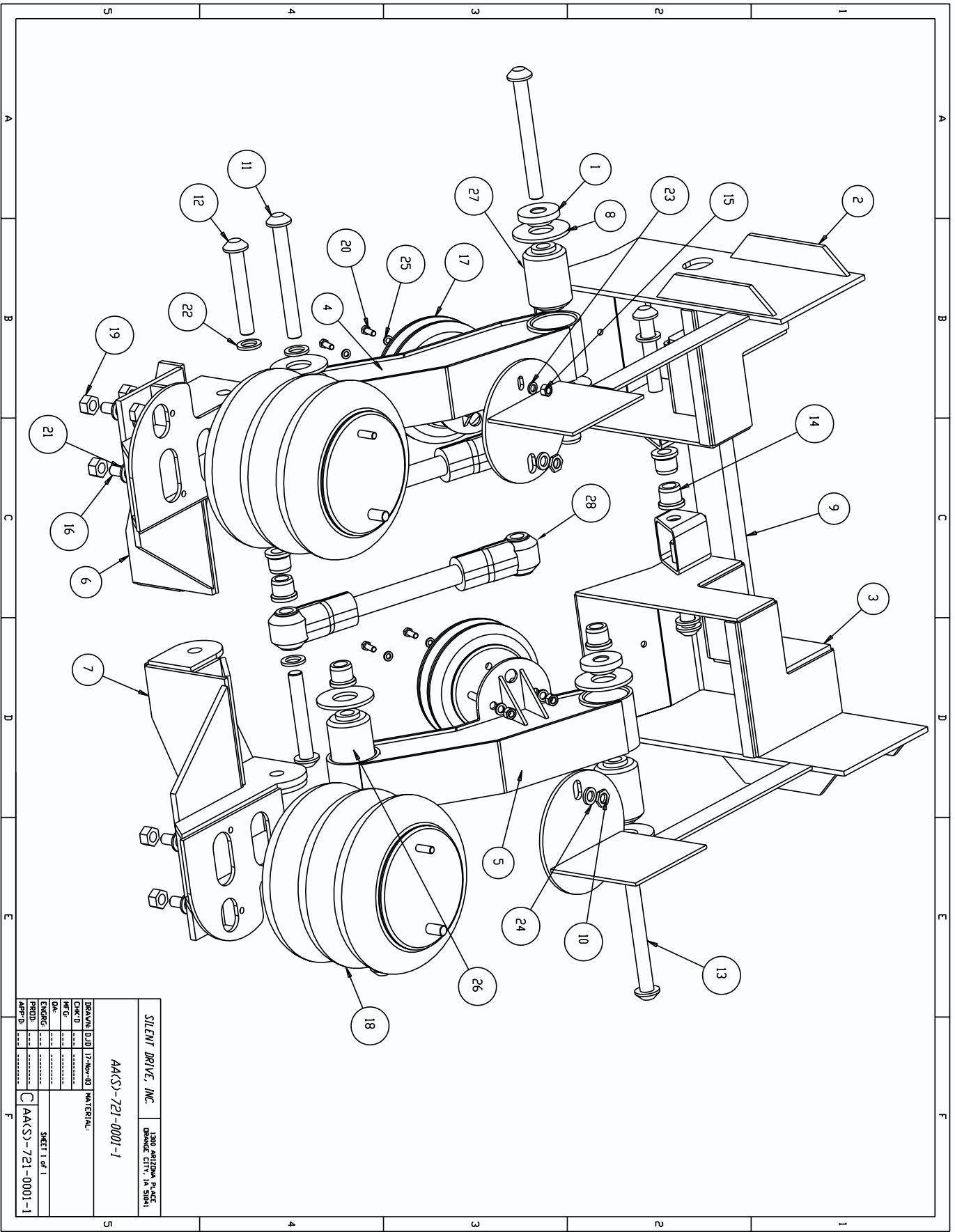
	PART NO:	QUANTITY	DESCRIPTION
23	PB-5000	4	Axle Seat Bushings
	PB-5000K	1	4 Axle Seat Bushings, Bolts & Lock Nut
22	PB-3000	2	Pull Arm Bushing
	PB-3000K	1	2 Pull Arm Bushings, Bolts,
			Lock Nuts & 4 Wear Washers
21	LW 38ZV	8	3/8" Lock Washer
20	LW 34ZV	2	3/4" Lock Washer
19	LW 12ZV	6	1/2" Lock Washer
18	HWX18	4	1 1/8" Washer
17	HCC6 16Z	8	Bolt 3/8-16 x 1" HX Cap Gr. 5 Z
16	AS-8027	2	Suspension Airspring
15	AS-6882	2	Lift Airspring
14	8C8DZD	6	1/2-13 UNC Hex Nut Gr. 8
13	100RXSC5	6	Huck Spin Collar
12	100R662XST8	2	1"x 9 1/4" Huck Bolt
11	100R618XST8	4	1" x 8 3/4" Huck Bolt
	AC1 95K	2	1 Repl. Pull Arm Bolt, Lock Nut, Washer
	HSB1 8A490K	4	1 Repl. Axle Seat Bolt, Lock Nut, Washer
10	341248	2	Nut, Jam 3/4"-16
9	1750-1011	4	Pull Arm Hardened Washer
8	421-01-9000	4	Collar, Sliding Alignment
7	270-6000	1	RH Axle Seat Assembly
6	270-5000	1	LH Axle Seat Assembly
5	270-2000K	1	RH Hanger Assembly
4	270-1000K	1	LH Hanger Assembly
(Hanger Assemblies Include Two Sliding Alignment Collars)			
3	230-INB-6000	1	Crossmember
2	230-4000K	1	RH Pull Arm Assembly
1	230-3000K	1	LH Pull Arm Assembly
(Pull Arm Assemblies Include all Bushings, Bolts, Wear Washer, and Nuts)			



SILENT DRIVE, INC.		1380 ARIZONA PLACE	
AAKS)-270-0001		BRAND CITY, LA 70041	
DRAWN DJD	25-Nov-03	MATERIAL:	
CHK'D			
WF G			
QA			
ENGR'G			
PR'D			
APP'D			
		SHEET 1 OF 1	
		C AAKS)-270-0001	

## AAS-721 Suspension

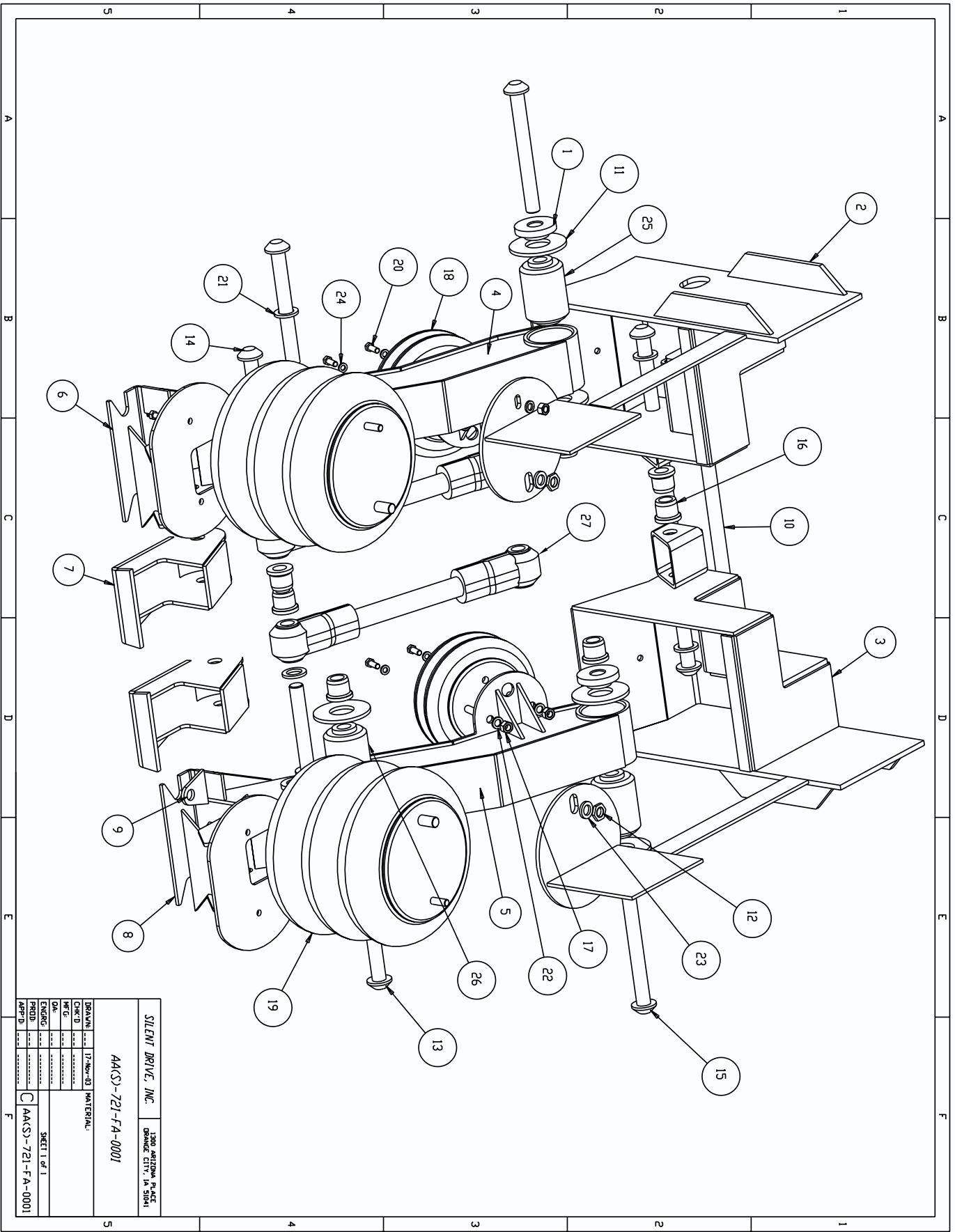
	PART NO:	QUANTITY	DESCRIPTION
28	TA-16398-04	2	Torque Arm
27	PB-3000A	2	Axle Seat Bushings
	PB-3000KA	1	2 Axle Seat Bushings, Bolts, & Lock Nut
26	PB-3000P	2	Pull Arm Bushing
	PB-3000KP	1	2 Pull Arm Bushings, Bolts,
			Lock Nuts & 4 Wear Washers
25	LW 38ZV	4	3/8" Lock Washer
24	LW 34ZV	2	3/4" Lock Washer
23	LW 12ZV	6	1/2" Lock Washer
22	HWX18	6	1 1/8" Washer
21	HWX12	8	Washer, 3/4 Extra Thick Hardened F/W
20	HCC6 16Z	4	Bolt, 3/8"-16 x 1" HX Cap Gr. 5 Z
19	CLN34CCW	8	Lock Nut, 3/4" Axle Connection
18	AS-8027	2	Airspring
17	AS-6882	2	Lift Airspring
16	AC3 3ZD	8	Bolt, 3/4"-10 x 3" HX Cap Gr 8 ZD
15	8C8DZD	6	1/2-13 UNC Hex Nut Gr. 8
14	100RXSC5	8	Huck Spin Collar
13	100R662XST8	2	1"x 9 1/4" Huck Bolt
12	100R650RRB8	4	1" x 6 1/2" Huck Bolt
11	100R618XST8	2	1" x 8 3/4" Huck Bolt
	AC1 95K	2	1 Repl. Pull Arm Bolt, Lock Nut, Washer
	HSB1 8A490K	2	1 Repl. Axle Seat Bolt, Lock Nut, Washer
10	341248	2	Nut, Jam 3/4"-16
9	1755-6001	1	Crossmember
8	1750-1011	8	Pull Arm Hardened Washer
7	721-6000-1	1	RH Axle Seat Assembly (Unitized)
6	721-5000-1	1	LH Axle Seat Assembly (Unitized)
5	721-4000K	1	RH Pull Arm Assembly
4	721-3000K	1	LH Pull Arm Assembly
(Pull Arm Assemblies Include All Bushings, Bolts, Wear Washer, And Nuts)			
3	721-2000K	1	RH Hanger Assembly
2	721-1000K	1	LH Hanger Assembly
(Hanger Assemblies Include Two Sliding Alignment Collars)			
1	421-01-9000	4	Collar, Sliding Alignment



SILENT DRIVE, INC.		1380 ARIZONA PLACE
AAKS-721-0001-1		BRANDS CITY, IA 51841
DRAWN	DJD	17-Nov-03 MATERIAL
CHECK'D	...	...
ENG'G	...	...
PRO'D	...	...
APP'D	...	...
C AAKS-721-0001-1		SHEET 1 OF 1

## AAS-721-FA Suspension

	PART NO:	QUANTITY	DESCRIPTION
27	TA-16398-04	2	Torque Arm
26	PB-3000A	2	Axle Seat Bushings
	PB-3000KA	1	2 Axle Seat Bushings, Bolts, & Lock Nut
25	PB-3000P	2	Pull Arm Bushing
	PB-3000KP	1	2 Pull Arm Bushings, Bolts,
			Lock Nuts & 4 Wear Washers
24	LW 38ZV	8	3/8" Lock Washer
23	LW 34ZV	2	3/4" Lock Washer
22	LW 12ZV	6	1/2" Lock Washer
21	HWX18	6	1 1/8" Washer
20	HCC6 16Z	8	Bolt, 3/8"-16 x 1" HX Cap Gr. 5 Z
19	AS-8027	2	Airspring
18	AS-6882	2	Lift Airspring
17	8C8DZD	6	1/2-13 UNC Hex Nut Gr. 8
16	100RXSC5	8	Huck Spin Collar
15	100R662XST8	2	1"x 9 1/4" Huck Bolt
14	100R650RRB8	4	1" x 6 1/2" Huck Bolt
13	100R618XST8	2	1" x 8 3/4" Huck Bolt
	AC1 95K	2	1 Repl. Pull Arm Bolt, Lock Nut, Washer
	HSB1 8A490K	2	1 Repl. Axle Seat Bolt, Lock Nut, Washer
12	341248	2	Nut, Jam 3/4"-16
11	1750-1011	8	Pull Arm Hardened Washer
10	1455-6000	1	Crossmember
9	727-LT-5010	2	Bracket, Shock
8	721-FA-5200	1	RH Axle Seat Assembly
7	721-FA-5100	2	Torque Arm Bracket
6	721-FA-5000	1	LH Axle Seat Assembly
5	721-4000K	1	RH Pull Arm Assembly
4	721-3000K	1	LH Pull Arm Assembly
[Pull Arm Assemblies Include All Bushings, Bolts, Wear Washer, And Nuts]			
3	721-2000K	1	RH Hanger Assembly
2	721-1000K	1	LH Hanger Assembly
[Hanger Assemblies Include Two Sliding Alignment Collars]			
1	421-01-9000	4	Collar, Sliding Alignment



SILENT DRIVE, INC.		1380 ARIZONA PLACE
AAKS-721-FA-0001		BRANDS CITY, LA 71804
DRAWN	17-Nov-03	MATERIAL
CHK'D		
APP'D		
ENG'G		
PRD'D		
APP'D		
AAKS-721-FA-0001		SHEET 1 OF 1

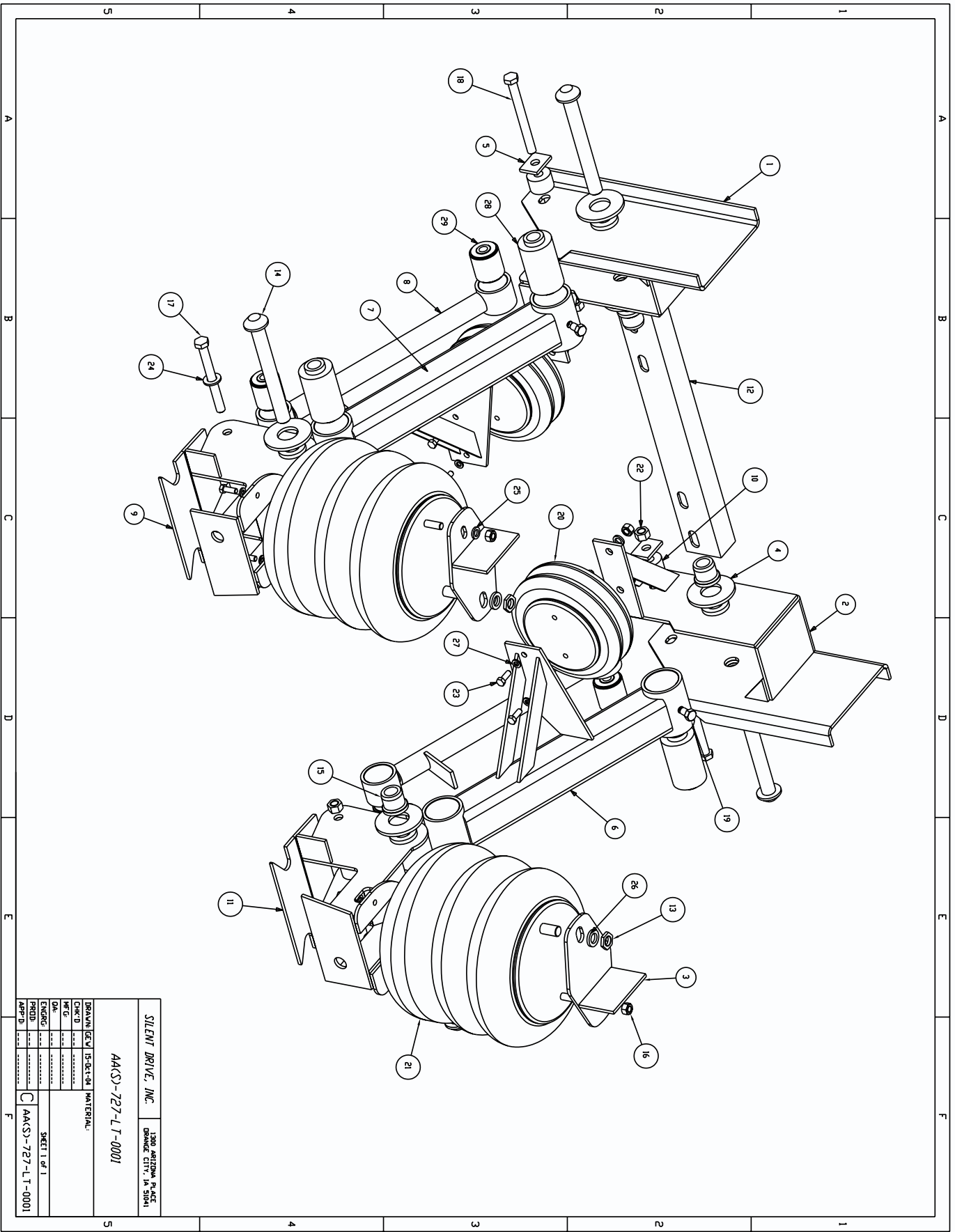
## AAS-724 Suspension

	PART NO:	QUANTITY	DESCRIPTION
25	TA-16398-04	2	Torque Arm, Adj.
24	PB-3000A	2	Axle Seat Bushings
	PB-3000KA	1	2 Axle Seat Bushings, Bolts, & Lock Nut
23	PB-3000P	2	Pull Arm Bushing
	PB-3000KP	1	2 Pull Arm Bushings, Bolts,
			Lock Nuts & 4 Wear Washers
22	LW 38ZV	4	3/8" Lock Washer
21	LW 34ZV	2	3/4" Lock Washer
20	LW 12ZV	6	1/2" Lock Washer
19	HWX18	4	1 1/8" Washer
18	HCC6 16Z	4	Bolt, 3/8"-16 x 1" HX Cap Gr. 5 Z
17	AS-7818	2	Load Airspring
16	AS-6882	2	Lift Airspring
15	8C8DZD	12	1/2-13 UNC Hex Nut Gr. 8
14	100RXSC5	8	Huck Spin Collar
13	100R662XST8	2	1"x 9 1/4" Huck Bolt
12	100R650RRB8	4	1" x 6 1/2" Huck Bolt
11	100R618XST8	2	1" x 8 3/4" Huck Bolt
	AC1 95K	2	1 Repl. Pull Arm Bolt, Lock Nut, Washer
	HSB1 8A490K	2	1 Repl. Axle Seat Bolt, Lock Nut, Washer
10	341248	2	Nut, Jam 3/4"-16
9	1750-1011	1	Pull Arm Hardened Washer
8	724-6000	1	RH Axle Seat Assembly
7	724-5000	1	LH Axle Seat Assembly
6	724-2000K	1	RH Hanger Assembly
5	724-1000K	1	LH Hanger Assembly
[ Hanger Assemblies Include Two Sliding Alignment Collars]			
4	721-6000	1	Crossmember
3	721-4000K	1	RH Pull Arm Assembly
2	721-3000K	1	LH Pull Arm Assembly
[ Pull Arm Assemblies Include all Bushings, Bolts, Wear Washer, and Nuts]			
1	421-01-9000	4	Sliding Alignment Collar



## AAS-727-LT Suspension

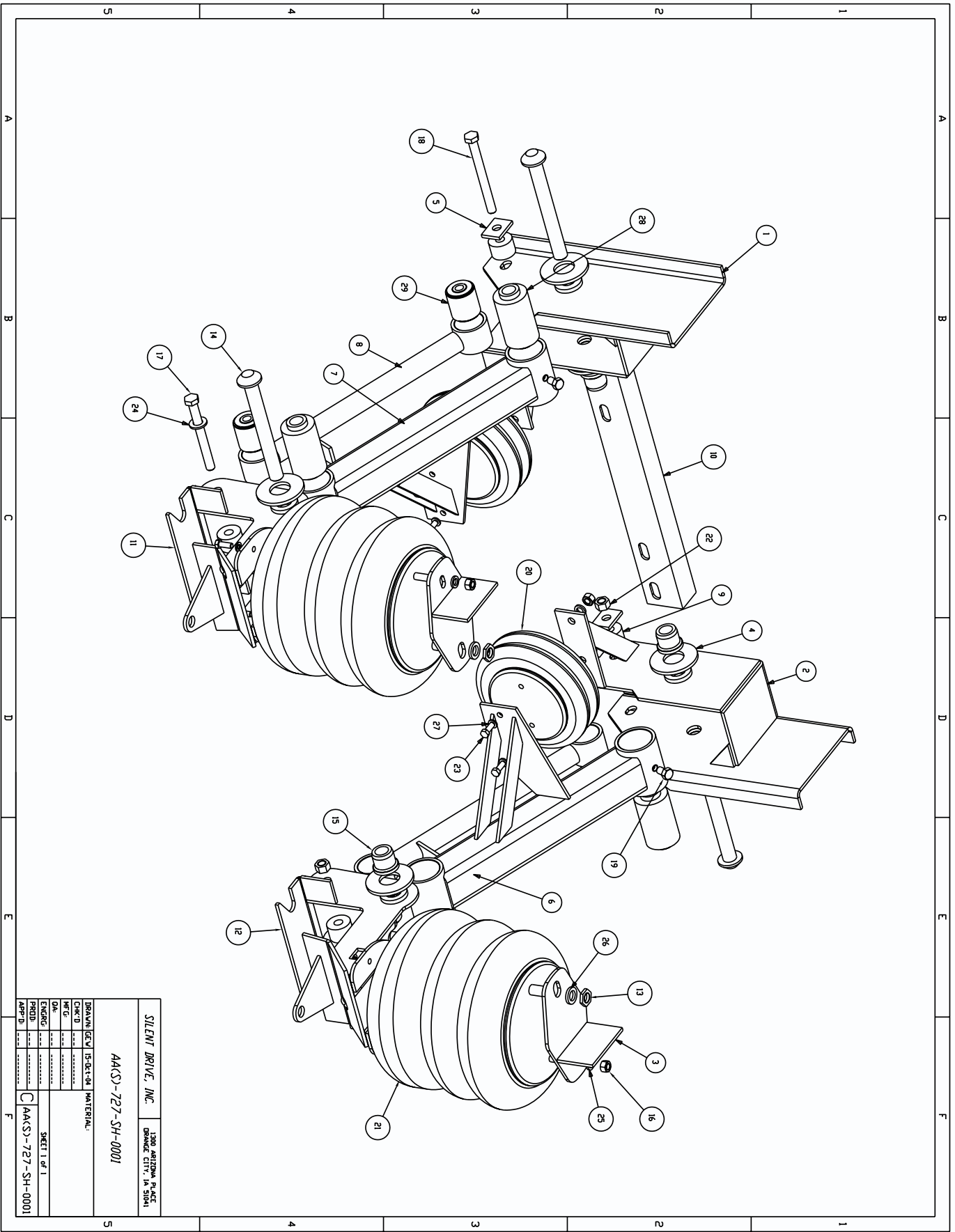
	PART NO:	QUANTITY	DESCRIPTION
29	PB-6000	4	Torque Arm Bushing
	PB-6000K	1	4 Bushings, Torque Arm, Bolts, & Lock Nuts
27	PB-55	4	Pull Arm Bushing
	PB-55K	1	4 Bushings, Torque Arm, Bolts, & Lock Nuts
27	LW-38ZV	8	3/8" Lock Washer
26	LW-34ZV	2	3/4" Lock Washer
25	LW 12ZV	6	1/2" Lock Washer
24	HWX10	2	5/8" Extra Thick Hardened Flat Washer
23	HCC6 16Z	8	Bolt, 3/8"-16 x 1" HX Cap GR. 5Z
22	CLN58CCW	4	5/8-11 UTC Lock Nut
21	AS-8027	1	Airspring, Suspension
20	AS-6882	2	Lift Airspring
19	ACC8 12ZD	4	1/2-13UNC x 3/4" HHCS GR. 8
18	AC5 65ZD	2	5/8-11UNC x 6 1/2" HHCS GR. 8
17	AC5 60ZD	2	Bolt, 5/8" -11 x 6 HXCap GR.8ZD
16	8C8DZD	6	1/2-13 UNC Hex Nut Gr. 8
15	100RXSC5	4	Huck Spin Collar
14	100R618XST8	4	1" x 8 3/4" Huck Bolt
	HSB1 8A490K	4	1 Repl. Axle Seat Bolt, Lock Nut,Washer
13	341248	2	Nut, Jam 3/4"-16
12	727-LT-6000	1	Cross Member
11	727-LT-5100	1	LH Axle Seat Assembly
10	727-LT-5008	4	Arm Spacer
9	727-LT-5000	1	RH Axle Seat Assembly
8	727-LT-3500	2	Lower Arm
7	727-LT-3100K	1	LH Pull Arm Assembly
6	727-LT-3000K	1	RH Pull Arm Assembly
(Pull Arm Assemblies Include all Bushings, Bolts, Wear Washer, and Nuts)			
5	727-LT-1600	4	Upper Arm Spacer
4	727-LT-1500	8	Washer
3	727-LT-1200	2	Airbag Support Plate
2	727-LT-1100K	1	RH Hanger Assembly
1	727-LT-1000K	1	LH Hanger Assembly
(Hanger Assemblies Include Two Sliding Alignment Collars)			



SILENT DRIVE, INC.		1380 ARIZONA PLACE
AAKS-727-LT-0001		BRIDGE CITY, LA 70814
DRAWN BY	IS-BCT-04	MATERIAL
CHK'D		
APP'D		
ENG'G		
PRO'D		
APP'D		
SHEET 1 OF 1		
AAKS-727-LT-0001		

## AAS-727-SH Suspension

	PART NO:	QUANTITY	DESCRIPTION
29	PB-6000	4	Torque Arm Bushing
	PB-6000K	1	4 Bushings, Torque Arm, Bolts, & Lock Nuts
28	PB-55	4	Pull Arm Bushing
	PB-55K	1	4 Bushings, Torque Arm, Bolts, & Lock Nuts
27	LW 38ZV	8	3/8" Lock Washer
26	LW 34ZV	2	3/4" Lock Washer
25	LW 12ZV	6	1/2" Lock Washer
24	HWX10	2	5/8" Extra Thick Hardened Flat Washer
23	HCC6 16Z	8	Bolt, 3/8"-16 x 1" HX Cap GR. 5Z
22	CLN58CCW	4	5/8-11 UTC Lock Nut
21	AS-8027	2	Airspring, Suspension
20	AS-6882	2	Lift Airspring
19	ACC8 12ZD	4	1/2-13UNC x 3/4" HHCS GR. 8
18	AC5 65ZD	2	5/8-11UNC x 6 1/2" HHCS GR. 8
17	AC5 60ZD	2	Bolt, 5/8" -11 x 6 HXCap GR.8ZD
16	8C8DZD	6	1/2-13 UNC Hex Nut Gr. 8
15	100RXSC5	4	Huck Spin Collar
14	100R618XST8	4	1" x 8 3/4" Huck Bolt
	HSB1 8A490K	4	1 Repl. Axle Seat Bolt, Lock Nut,Washer
13	341248	2	Nut, Jam 3/4"-16
12	727-SH-5100	1	RH Axle Seat Assembly
11	727-SH-5000	1	LH Axle Seat Assembly
10	727-LT-6000	1	Cross Member
9	727-LT-5008	4	Arm Spacer
8	727-LT-3500	2	Lower Arm
7	727-LT-3100K	1	LH Pull Arm Assembly
6	727-LT-3000K	1	RH Pull Arm Assembly
(Pull Arm Assemblies Include all Bushings, Bolts, Wear Washer, and Nuts)			
5	727-LT-1600	4	Upper Arm Spacer
4	727-LT-1500	8	Washer
3	727-LT-1200	2	Airbag Support Plate
2	727-LT-1100K	1	RH Hanger Assembly
1	727-LT-1000K	1	LH Hanger Assembly
(Hanger Assemblies Include Two Sliding Alignment Collars)			



SILENT DRIVE, INC.		1380 ARIZONA PLACE
AA(S)-727-SH-0001		BRANDS CITY, IA 51804
DESIGNED BY	15-DEC-04	MATERIAL
CHK'D		
APP'D		
ENG'G		
PRO'D		
APP'D		
AA(S)-727-SH-0001		SHEET 1 OF 1

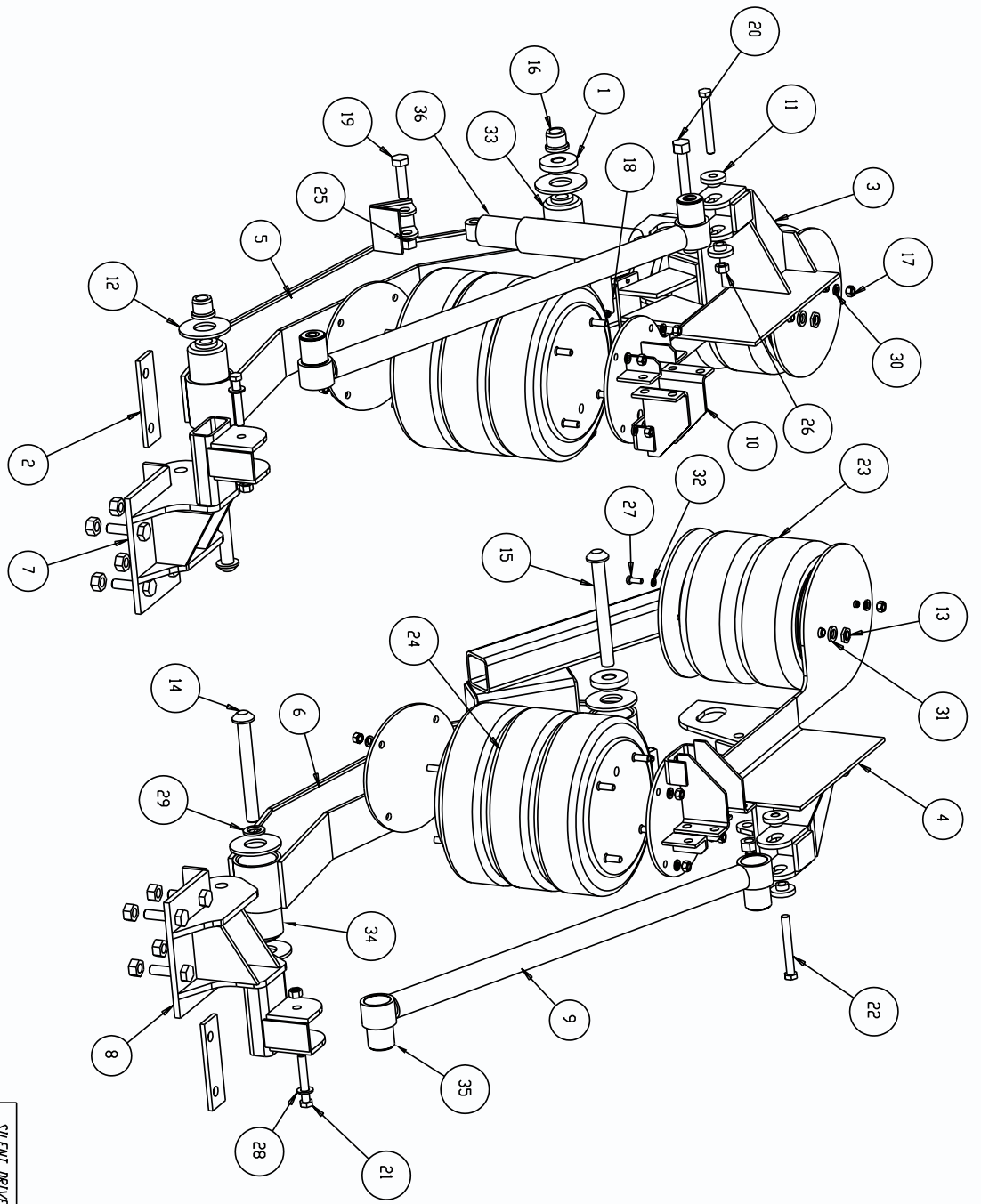
## AAS-740 Suspension

	PART NO:	QUANTITY	DESCRIPTION
28	TA-16398-04	2	Torque Arm, Adj.
27	PB-3000A	2	Axle Seat Bushings
	PB-3000KA	1	2 Axle Seat Bushings, Bolts, & Lock Nut
26	PB-3000P	2	Pull Arm Bushing
	PB-3000KP	1	2 Pull Arm Bushings, Bolts,
			Lock Nuts & 4 Wear Washers
25	LW 38ZV	4	3/8" Lock Washer
24	LW 34ZV	10	3/4" Lock Washer
23	LW 12ZV	6	1/2" Lock Washer
22	HWX18	6	1 1/8" Washer
21	HCC6 16Z	4	Bolt, 3/8"-16 x 1" HX Cap Gr. 5 Z
20	FSC38 8	4	Bolt, 3/8"-16 x 1" FHCS
19	AS-7446	2	Suspension, Airspring
18	AS-6882	2	Lift Airspring
17	AC3 3ZD	8	Bolt, 3/4"-10 x 3" HX Cap Gr.8 ZD
16	8C8DZD	6	1/2-13 UNC Hex Nut Gr. 8
15	100RXSC5	8	Huck Spin Collar
14	100R662XST8	2	1"x 9 1/4" Huck Bolt
13	100R650RRB8	4	1" X 6 1/2" Huck Bolt
12	100R618XST8	2	1" x 8 3/4" Huck Bolt
	AC1 95K	2	1 Repl. Pull Arm Bolt, Lock Nut, Washer
	HSB1 8A490K	2	1 Repl. Axle Seat Bolt, Lock Nut, Washer
11	341248	2	Nut, Jam 3/4"-16
10	1750-1011	8	Pull Arm Hardened Washer
9	740-7000	1	Crossmember
8	740-6000	1	Axle Seat, P.S.
7	740-5000	1	Axle Seat, D.S.
6	740-3000K	2	Pull Arm Assembly
[Pull Arm Assemblies Include All Bushings, Bolts, Wear Washer, And Nuts]			
5	740-2000K	1	Hanger Assembly, P.S.
4	740-1500	2	Forward Lift Bag Plate
3	740-1000K	1	Hanger Assembly, D.S.
[Hanger Assemblies Include Two Sliding Alignment Collars]			
2	720-9000	2	Lower Axle Plate, Unitized
1	421-01-9000	4	Sliding Alignment Collar



# AAS-770 Suspension

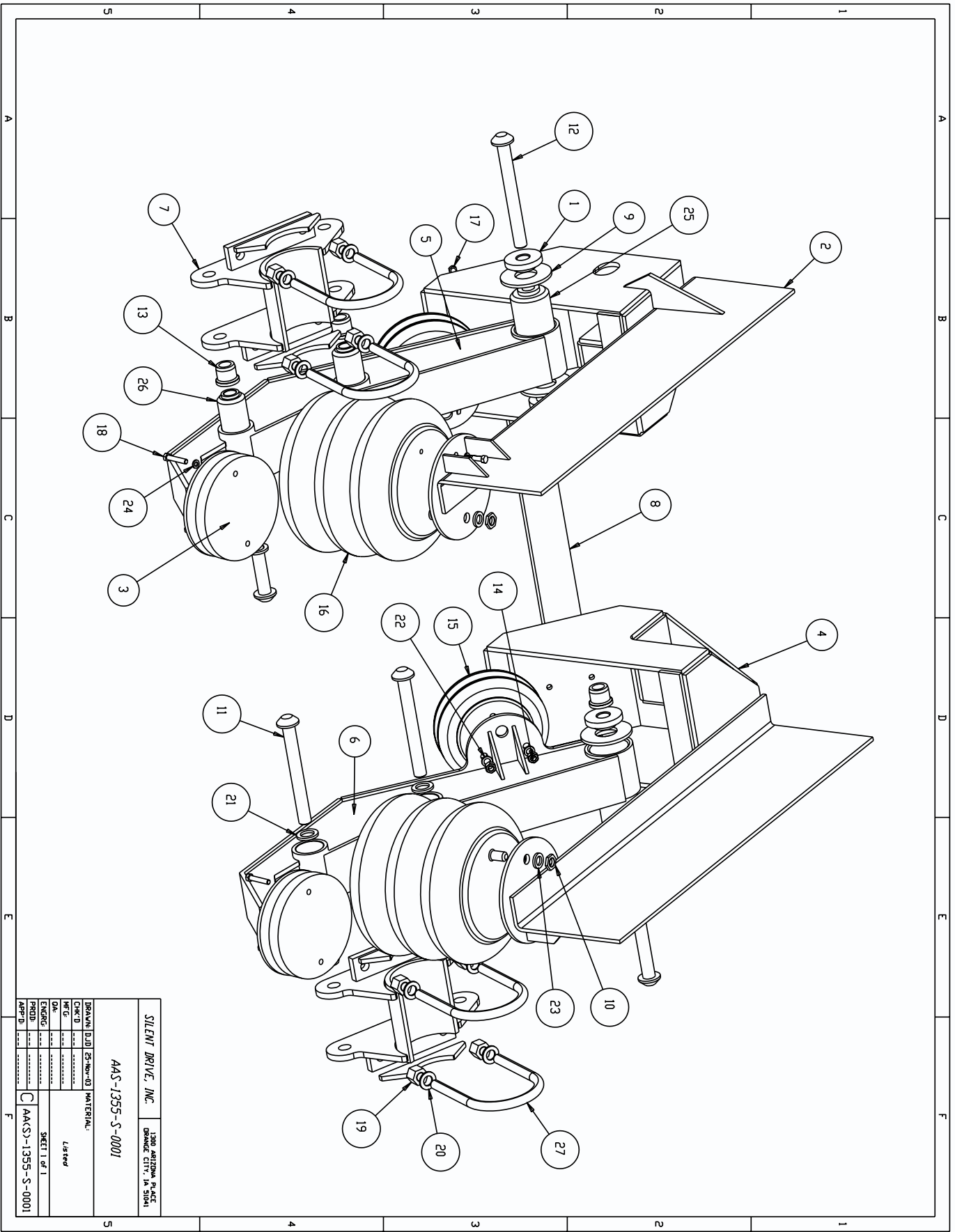
	PART NO:	QUANTITY	DESCRIPTION
36	85029	2	Shock Absorber
35	PB-6000	4	Bushing, Torque Arm
34	PB-3000A	2	Axle Seat Bushings
	PB-3000KA	1	2 Axle Seat Bushings, Bolts, & Lock Nut
33	PB-3000P	2	Pull Arm Bushing
	PB-3000KP	1	2 Pull Arm Bushings, Bolts,
			Lock Nuts & 4 Wear Washers
32	LW 38ZV	6	3/8" Lock Washer
31	LW 34ZV	2	3/4" Lock Washer
30	LW 12ZV	12	1/2" Lock Washer
29	HWX18	2	1 1/8" Washer
28	HWX10	2	5/8" Extra Thick Hardened Flat Washer
27	HCC6 16Z	6	Bolt, 3/8"-16 x 1" HX Cap Gr. 5 Z
26	CLN58CCW	4	5/8-11 UTC Lock Nut
25	CLN34CCW	12	Lock Nut, 3/4" Axle Connection
24	AS-7839	2	Airspring
23	AS-7446	2	Suspension, Airspring
22	AC5 5ZD	2	Bolt, 5/8"-11 x 5" HX Cap GR8 ZD
21	AC5 4ZD	4	Bolt, 5/8"-11 x 4" HX Cap GR8 ZD
20	AC3 4ZD	2	Bolt, 3/4"-10 x 4" HX Cap Gr 8
19	AC3 3ZD	10	Bolt, 3/4"-10 x 3" HX Cap Gr 8 ZD
18	AB-1200K	1	Axle Bumper Kit
17	8C8DZD	12	1/2-13 UNC Hex Nut Gr. 8
16	100RXSC5	4	Huck Spin Collar
15	100R662XST8	2	1"x 9 1/4" Huck Bolt
14	100R618XST8	2	1" x 8 3/4" Huck Bolt
	AC1 95K	2	1 Repl. Pull Arm Bolt, Lock Nut, Washer
	HSB1 8A490K	2	1 Repl. Axle Seat Bolt, Lock Nut, Washer
13	341248	2	Nut, Jam 3/4"-16
12	1750-1011	8	Pull Arm Hardened Washer
11	770-9000	4	Collar, Sliding Caster
10	770-7100	2	Airspring Brace
9	770-7000	2	Torque Arm
8	770-6000	1	Axle Seat Assembly, P.S.
7	770-5000	1	Axle Seat Assembly, D.S.
6	770-4000K	1	Pull Arm Assembly, P.S.
5	770-3000K	1	Pull Arm Assembly, D.S.
(Pull Arm Assemblies Include All Bushings, Bolts, Wear Washer, And Nuts)			
4	770-2000K	1	Hanger Assembly, P.S.
3	770-1000K	1	Hanger Assembly, D.S.
(Hanger Assemblies Include Two Sliding Alignment Collars)			
2	720-9000	2	Lower Axle Plate, Unitized
1	421-01-9000	4	Collar, Sliding Alignment



SILENT DRIVE, INC.		1380 ARIZONA PLACE
AA(S)-770-0001		ORANGE CITY, LA 70641
DRAWN	DJD	12-7-94 MATERIAL
CHK'D		
WF G		
QA		
ENGR'G		
PR'D		
APP'D		
SHEET 1 OF 2		
C AA(S)-770-0001		

## AAS-1 355-S Suspension

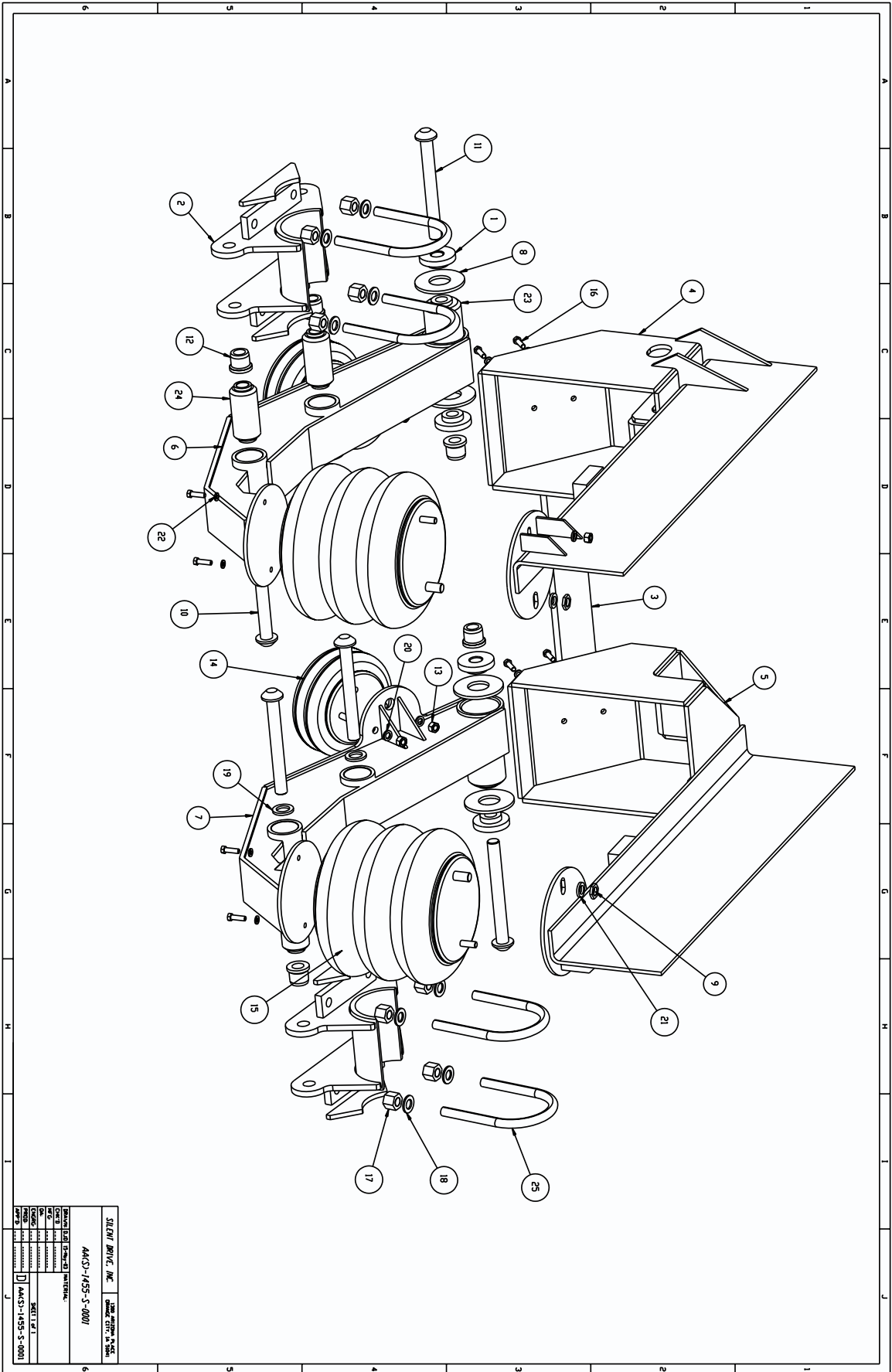
	PART NO:	QUANTITY	DESCRIPTION
27	UB-055	4	U-Bolt 3/4" Dia. X 5 1/4" X 8"
	UB-055K	1	1 U-Bolt, Washers And High Nuts
26	PB-5000	4	Axle Seat Bushings
	PB-5000K	1	4 Axle Seat Bushings, Bolts & Lock Nut
25	PB-3000	2	Pull Arm Bushing
	PB-3000K	1	2 Pull Arm Bushings, Bolts,
			Lock Nuts & 4 Wear Washers
24	LW 38ZV	10	3/8" Lock Washer
23	LW 34ZV	2	3/4" Lock Washer
22	LW 12ZV	4	1/2" Lock Washer
21	HWX18	4	1 1/8" Washer
20	HWX12	8	Washer, 3/4 Extra Thick Hardened
19	HHN12	8	3/4 Hex High Nut
18	HCC6 32Z	4	3/8-16 UNC x 1 1/4" HHCS Gr. 5
17	HCC6 16Z	6	3/8-16 UNC x 1 1/4" HHCS Gr. 5
16	AS-8038	2	Load Airspring
15	AS-6882	2	Lift Airspring
14	8C8DZD	4	1/2-13 UNC Hex Nut Gr. 8
13	100RXSC5	6	Huck Spin Collar
12	100R662XST8	2	1"x 9 1/4" Huck Bolt
11	100R618XST8	4	1" x 8 3/4" Huck Bolt
	AC1 95K	2	1 Repl. Pull Arm Bolt, Lock Nut, Washer
	HSB1 8A490K	4	1 Repl. Axle Seat Bolt, Lock Nut,Washer
10	341248	2	Nut, Jam 3/4"-16
9	1750-1011	4	Pull Arm Hardened Washer
8	1455-6000	1	Cross Member
7	1355-5000-1	2	Axle Seat Assembly
6	1355-S-4000-1K	1	RH Pull Arm Assembly
5	1355-S-3000-1K	1	LH Pull Arm Assembly
[ Pull Arm Assemblies Include all Bushings, Bolts, Wear Washer, and Nuts]			
4	1355-2000K	1	RH Hanger Assembly
3	1355-1400	2	Spacer, Lower Bag Plate
2	1355-1000K	1	LH Hanger Assembly
[ Hanger Assemblies Include Two Sliding Alignment Collars]			
1	421-01-9000	4	Sliding Alignment Collar



SILENT DRIVE, INC.		1380 ARIZONA PLACE
AAS-1355-S-0001		GRAND CITY, IA 51804
DRAWN BY	25-Nov-03	MATERIAL
CHK'D		LIB'RD
Q.A.		
ENGR'G		
APP'D		
C AAKS-1355-S-0001		SHEET 1 OF 1

## AAS-1 455-S Suspension

	PART NO:	QUANTITY	DESCRIPTION
25	UB-055	4	U-Bolt 3/4" Dia. X 5 1/4" X 8"
	UB-055K	1	1 U-Bolt, Washers And High Nuts
24	PB-5000	4	Axle Seat Bushings
	PB-5000K	1	4 Axle Seat Bushings, Bolts, & Lock Nut
23	PB-3000	2	Pull Arm Bushing
	PB-3000K	1	2 Pull Arm Bushings, Bolts,
			Lock Nuts & 4 Wear Washers
22	LW 38ZV	8	3/8" Lock Washer
21	LW 34ZV	2	3/4" Lock Washer
20	LW 12ZV	6	1/2" Lock Washer
19	HWX18	4	1 1/8" Washer
18	HWX12	8	Washer, 3/4 Extra Thick Hardened
17	HHN12	8	3/4 Hex High Nut
16	HCC6 20Z	8	3/8-16 UNC x 1 1/4" HHCS Gr. 5
15	AS-8027	2	Load Airspring
14	AS-6882	2	Lift Airspring
13	8C8DZD	6	1/2-13 UNC Hex Nut Gr. 8
12	100RXSC5	6	Huck Spin Collar
11	100R662XST8	2	1"x 9 1/4" Huck Bolt
10	100R618XST8	4	1" x 8 3/4" Huck Bolt
	AC1 95K	2	1 Repl. Pull Arm Bolt, Lock Nut, Washer
	HSB1 8A490K	4	1 Repl. Axle Seat Bolt, Lock Nut, Washer
9	341248	2	Nut, Jam 3/4"-16
8	1750-1011	4	Pull Arm Hardened Washer
7	1455-S-4000-1K	1	RH Pull Arm Assembly
6	1455-S-3000-1K	1	LH Pull Arm Assembly
[ Pull Arm Assemblies Include all Bushings, Bolts, Wear Washer, and Nuts]			
5	1455-S-2000K	1	RH Hanger Assembly
4	1455-S-1000K	1	LH Hanger Assembly
[ Hanger Assemblies Include Two Sliding Alignment Collars]			
3	1455-6000	1	Crossmember
2	1455-5000-1	2	Axle Seat Assembly
1	421-01-9000	4	Sliding Alignment Collar



SILVER DRIVE, INC.		UNION CITY, N.C.
AA(S)-1455-S-0001		UNION CITY, N.C.
REV.	DATE	DESCRIPTION
1	12-15-83	INITIAL
2	01-15-84	REVISION
3	02-15-84	REVISION
4	03-15-84	REVISION
5	04-15-84	REVISION
6	05-15-84	REVISION
7	06-15-84	REVISION
8	07-15-84	REVISION
9	08-15-84	REVISION
10	09-15-84	REVISION
11	10-15-84	REVISION
12	11-15-84	REVISION
13	12-15-84	REVISION
14	01-15-85	REVISION
15	02-15-85	REVISION
16	03-15-85	REVISION
17	04-15-85	REVISION
18	05-15-85	REVISION
19	06-15-85	REVISION
20	07-15-85	REVISION
21	08-15-85	REVISION
22	09-15-85	REVISION
23	10-15-85	REVISION
24	11-15-85	REVISION
25	12-15-85	REVISION
AA(S)-1455-S-0001		UNION CITY, N.C.