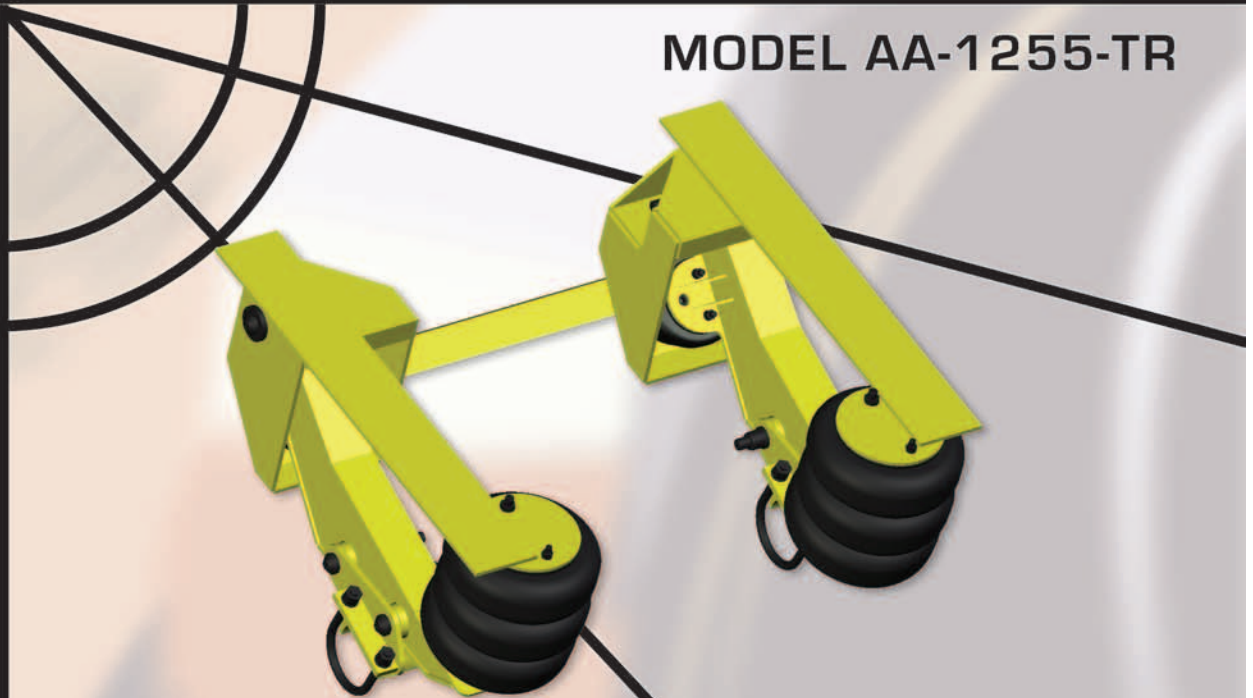


MODEL AA-1255-TR

TRAILER SERIES



AA-1 255-TR FEATURES

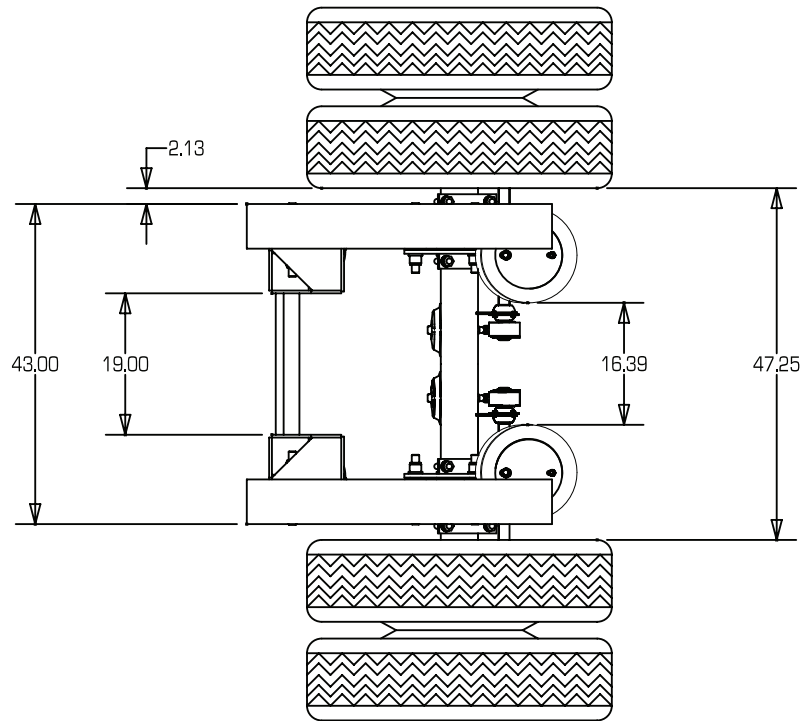
- | | |
|----------------------------|---|
| AIR RIDE/AIR LIFT: | Provides a smooth ride and maximum cargo protection. Airsprings within hangers lift axle when not in use. |
| CAPACITY: | 20,000 lbs. |
| MAXIMUM LIFT: | Up to 6 inches. |
| AXLE TRAVEL: | 11 inches total, lift and rebound. |
| LOW MAINTENANCE: | Durable urethane bushings at all pivot points. No lubrication required. |
| SELF-STEERING AXLE: | Offers longer tire life and better vehicle handling. Features leading kingpin for optimum performance. |

v.001 d.11.27.2005

Silent Drive Inc.
Industrial Air Park - P.O. Box 227
Orange City, Iowa 51041
PH. 712.737.4865 FAX 712.737.2865
TF. 800-658-3866 WEB www.silentdrive.com

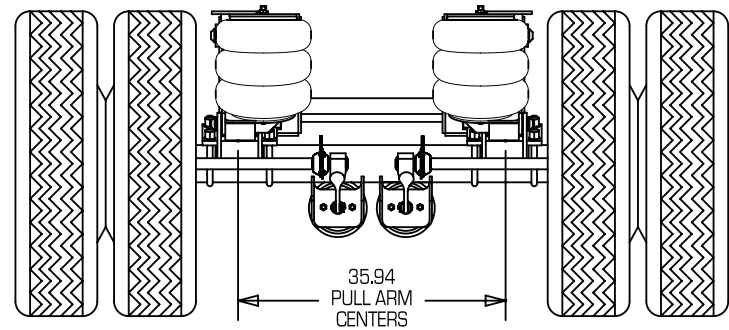
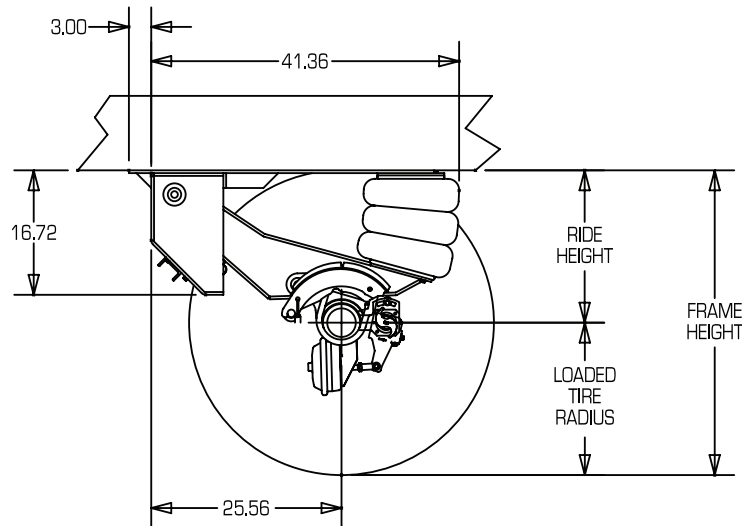


Demand Durability...Select Silent Drive



NOTES:

1. CAPACITY: 20,000 AND 25,000.
2. PUSHER OR TAG, NON-STEERING AXLE.
3. RIDE HEIGHT: 18" - 20".
4. LIFT: 4" - 6"
5. WHEN LIFTED THE TOP OF THE AXLE IS 11" BELOW THE BOTTOM OF THE FRAME.



v1.2 dt12.14.05 tm7.47.47