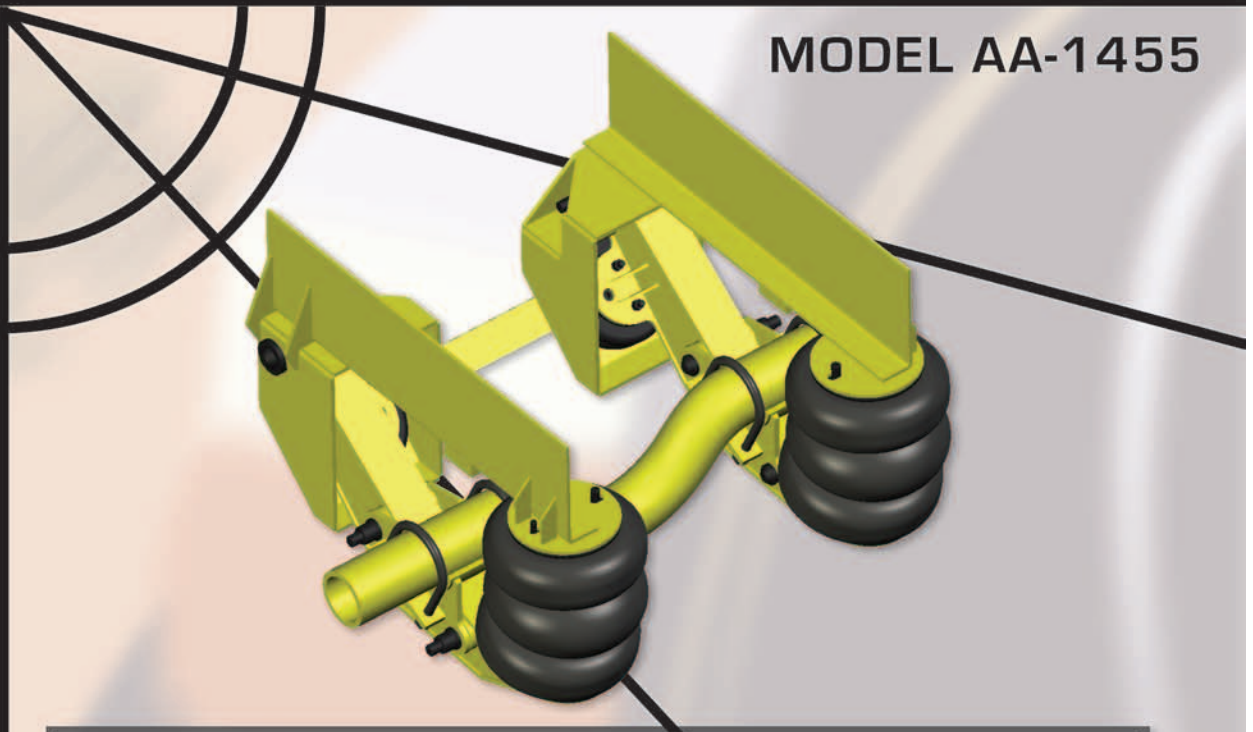


MODEL AA-1455

NON-STEER SERIES



AA-1455 FEATURES

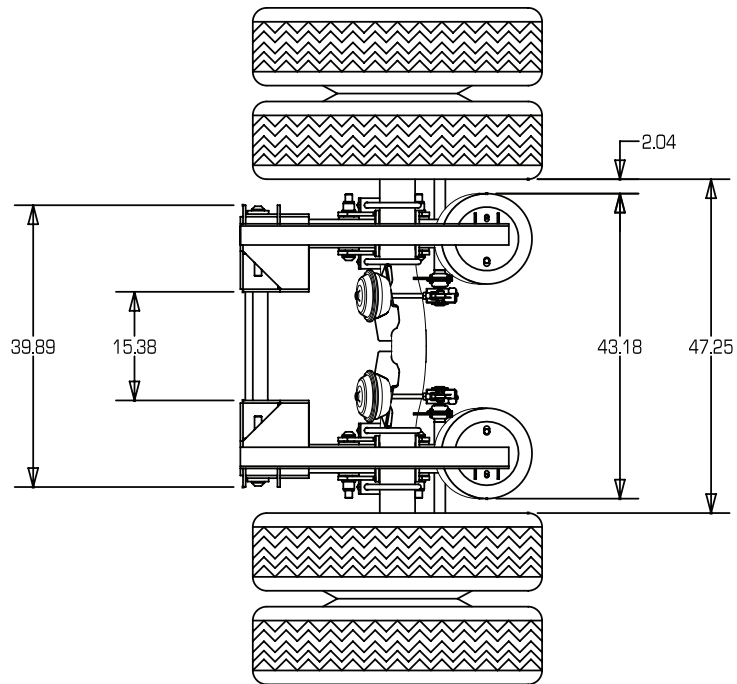
- | | |
|------------------------------|---|
| AIR RIDE/AIR LIFT: | For a smooth ride and maximum cargo protection. Air springs within hangers lift axle when not in use. |
| CAPACITY: | 20,000 lbs. |
| MAXIMUM LIFT: | Up to 6 inches. |
| APPLICATION: | May be used as a tag or a pusher. Offers the maximum stability possible. Compact dimensions - requires minimum frame space. |
| AXLE" | Up to 8 inches Center Drop axle available. |
| QUALITY CONSTRUCTION: | Durable urethane bushings at all pivot points. No lubrication required. |

v.001 d.11.27.2005

Silent Drive Inc.
Industrial Air Park - P.O. Box 227
Orange City, Iowa 51041
PH. 712.737.4865 FAX 712.737.2865
TF. 800-658-3866 WEB www.silentdrive.com

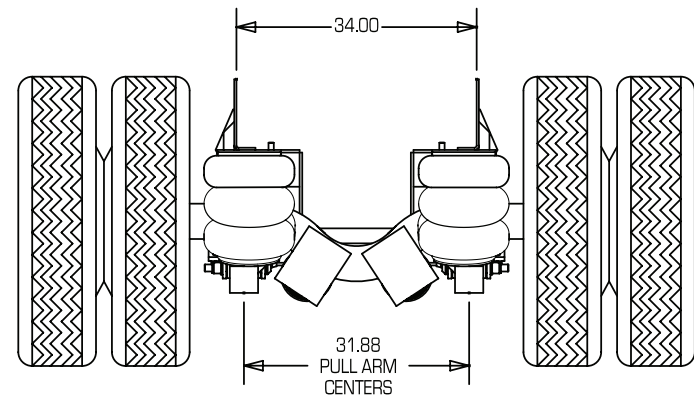
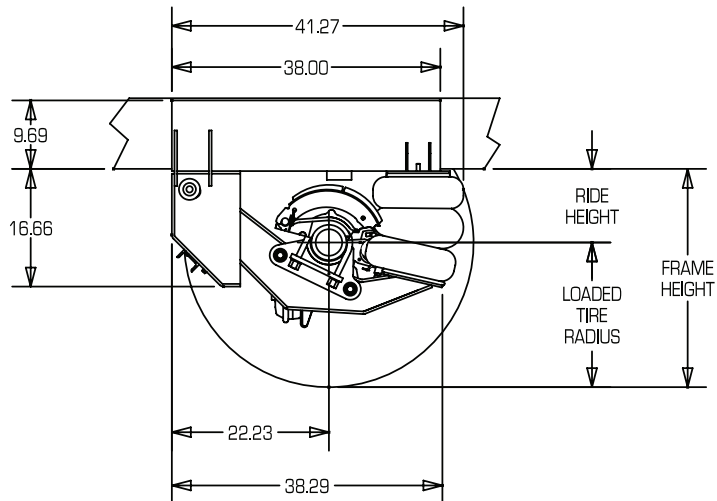


Demand Durability...Select Silent Drive



NOTES:

1. CAPACITY: 20,000
2. PUSHER OR TAG, NON-STEERING AXLE.
3. RIDE HEIGHT: 8" - 10".
4. LIFT: 4" - 6"
5. WHEN LIFTED THE TOP OF THE AXLE IS 1-1/2" BELOW THE BOTTOM OF THE FRAME.



v1.2 dt12.14.05 tm7.47.47