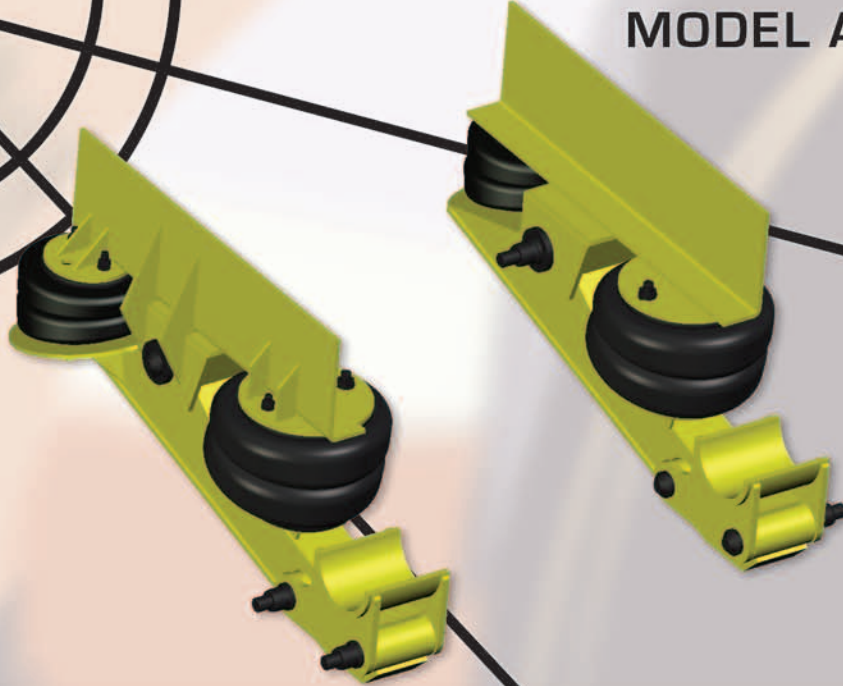


MODEL AAS-240



STEERABLE SERIES

AAS-240 FEATURES

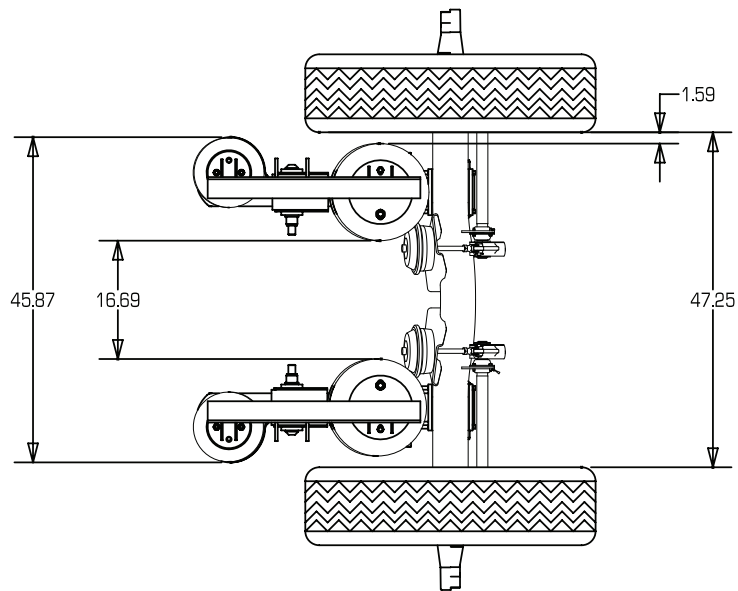
AIR RIDE/AIR LIFT:	Provides a smooth ride and maximum cargo protection. Airsprings lift axle when not in use.
LOW FRAME HEIGHT:	Designed for pusher applications on low, drop frame trucks.
CAPACITY:	10,000 lbs.
MAXIMUM LIFT:	Up to 7 inches.
AXLE TRAVEL:	10 inches total, lift and rebound.
LOW MAINTENANCE:	Durable urethane bushings at all pivot points. No lubrication required.
SELF-STEERING AXLE:	Offers longer tire life and better vehicle handling. Features leading kingpin for optimum performance.

v.001 d.11.27.2005

Silent Drive Inc.
Industrial Air Park - P.O. Box 227
Orange City, Iowa 51041
PH. 712.737.4865 FAX 712.737.2865
TF. 800-658-3866 WEB www.silentdrive.com

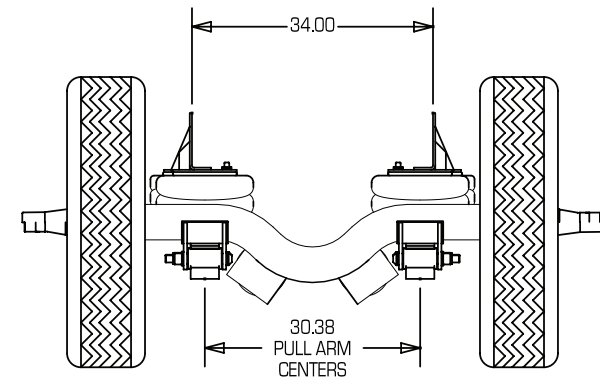
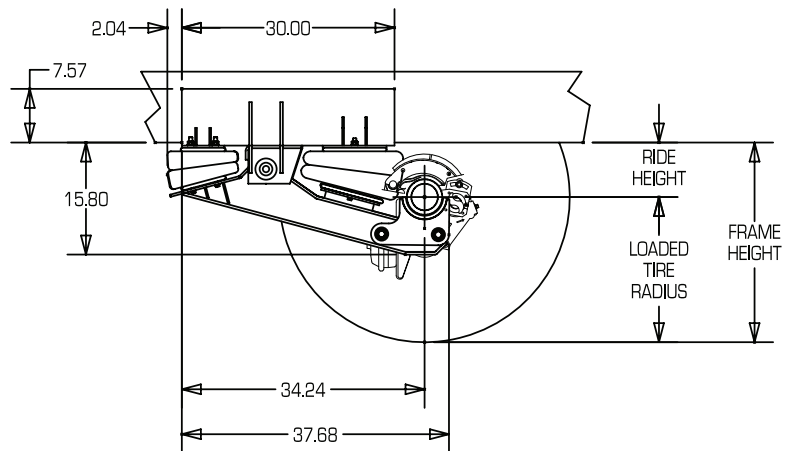


Demand Durability...Select Silent Drive



NOTES:

1. CAPACITY: 10,000
2. PUSHER NON-STEERING AXLE. LOW OR DROP FRAMES, LOW PROFILE TIRES.
3. RIDE HEIGHT: 8" - 10".
4. LIFT: 5" - 7"
5. WHEN LIFTED THE TOP OF THE AXLE IS 1/2" BELOW THE BOTTOM OF THE FRAME.



v1.2 dt12.14.05 tm7.47.47