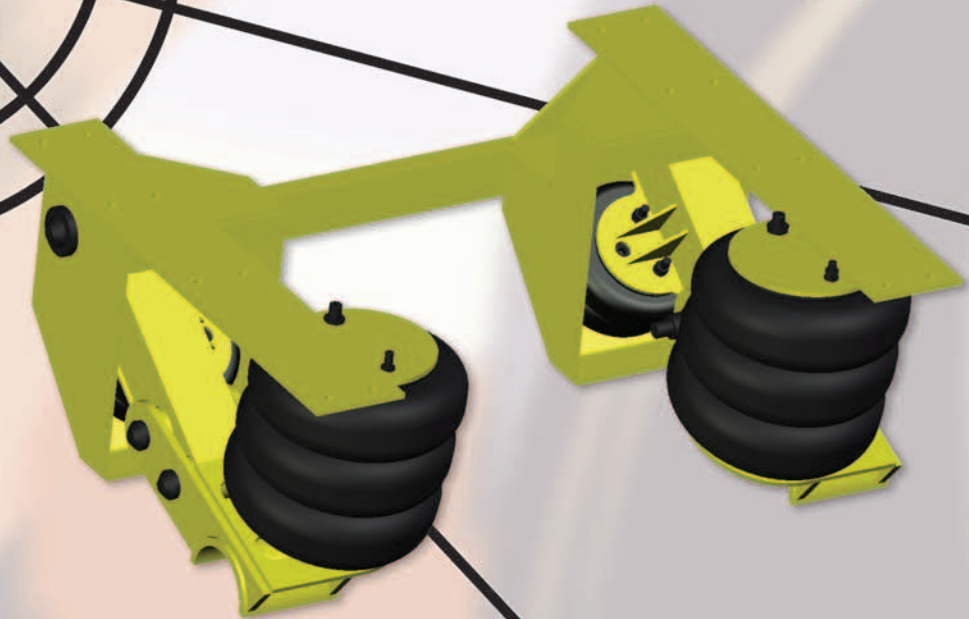


MODEL AA(S)-270-TR

TRAILER SERIES



AA(S)-270TR FEATURES

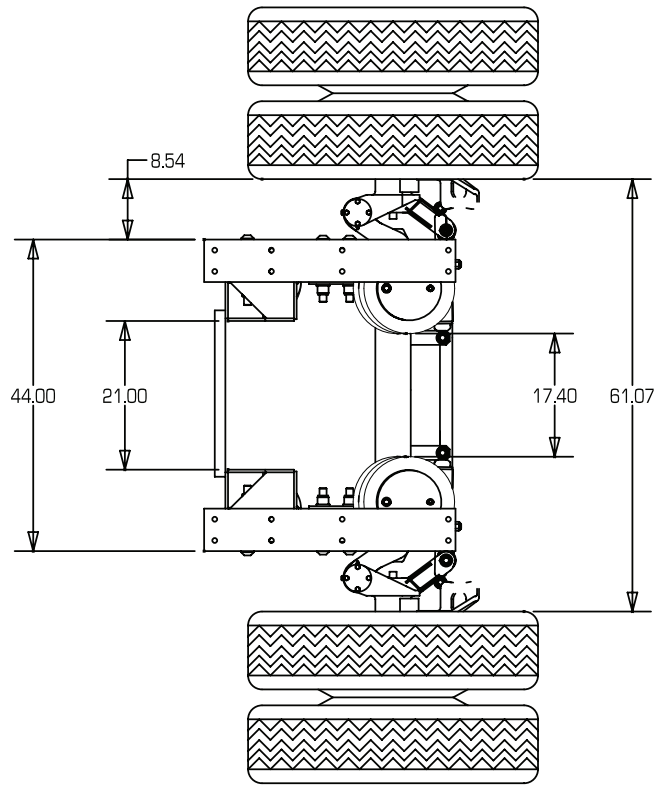
AIR RIDE/AIR LIFT:	Provides a smooth ride and maximum cargo protection. Airsprings within hangers lift axle when not in use.
CAPACITY:	14,000 lbs.
MAXIMUM LIFT:	Up to 8 inches.
AXLE TRAVEL:	12 inches total, lift and rebound.
LOW MAINTENANCE:	Durable urethane bushings at all pivot points. No lubrication required.
SELF-STEERING AXLE:	Offers longer tire life and better vehicle handling. Features leading kingpin for optimum performance.
RIDE HEIGHT:	14 to 17 inches.

v.001 d.11.27.2005

Silent Drive Inc.
Industrial Air Park - P.O. Box 227
Orange City, Iowa 51041
PH. 712.737.4865 FAX 712.737.2865
TF. 800-658-3866 WEB www.silentdrive.com

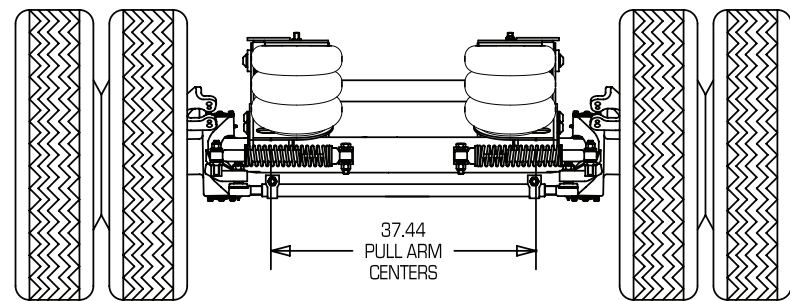
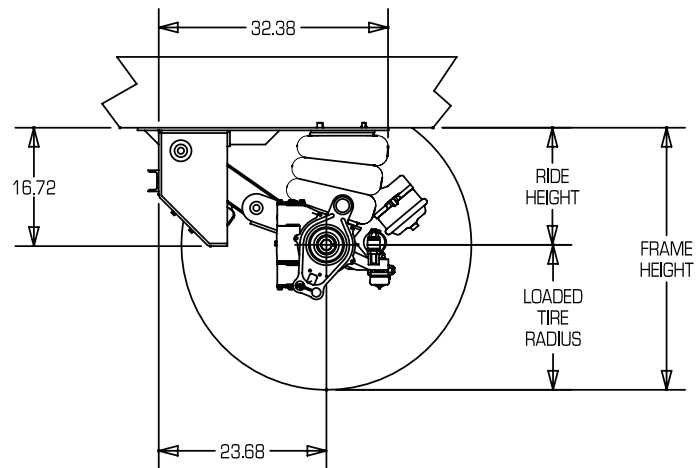


Demand Durability...Select Silent Drive



NOTES:

1. CAPACITY: 14,000.
2. PUSHER OR TAG, NON-STEERING AXLE, HIGH FRAME OR LOW PROFILE TIRES.
3. RIDE HEIGHT: 14" - 17".
4. LIFT: 5" - 8"
5. WHEN LIFTED THE TOP OF THE AXLE IS 6-1/2" BELOW THE BOTTOM OF THE FRAME.



v1.2 dt12.14.05 tm7.47.47