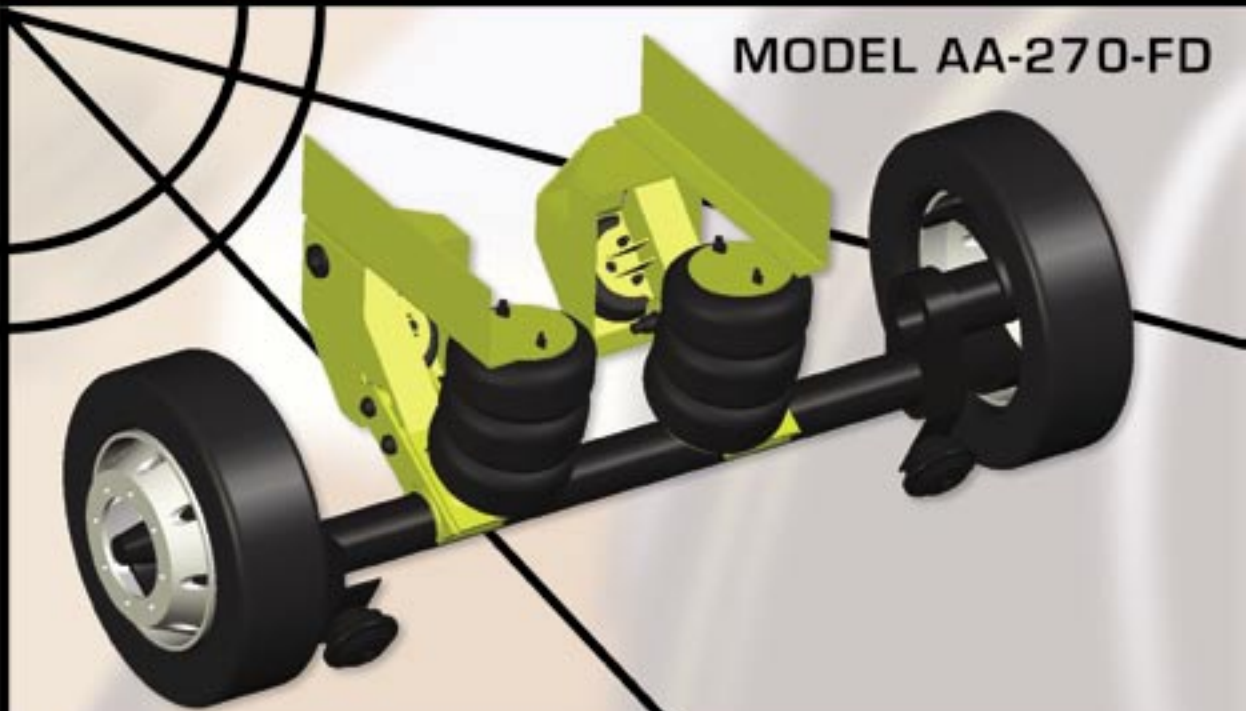


MODEL AA-270-FD



AA-270FD FEATURES

AIR RIDE/AIR LIFT:	Provides a smooth ride and maximum cargo protection. Air springs within hangers lift axle when not in use.
CAPACITY:	14,000 lbs.
MAXIMUM LIFT:	Up to 8 inches.
AXLE TRAVEL:	12 inches total, lift and rebound
AXLE:	20,000 lb. rating, 6 inches full drop.
LOW MAINTENANCE:	Durable urethane bushing at all pivot points. No lubrication required. Roll-off trucks.

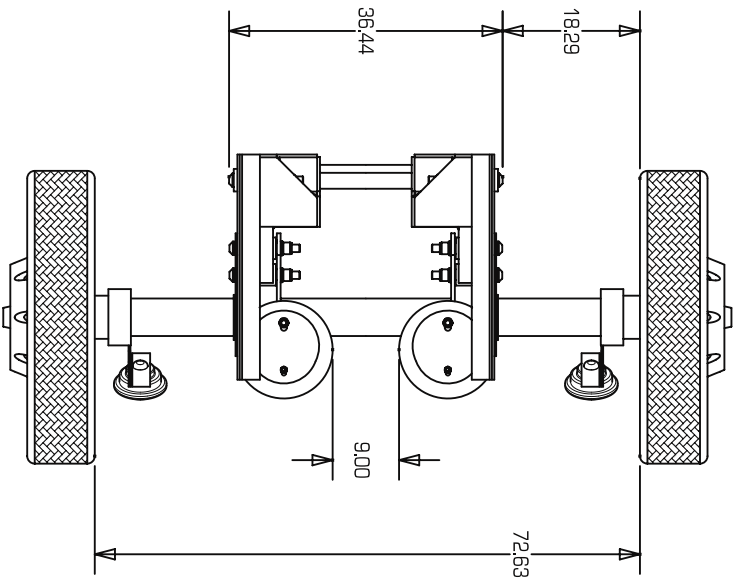
v.001 d.11.27.2005

Silent Drive Inc.
Industrial Air Park - P.O. Box 227
Orange City, Iowa 51041
PH. 712.737.4865 FAX 712.737.2865
TF. 800-658-3866 WEB www.silentdrive.com



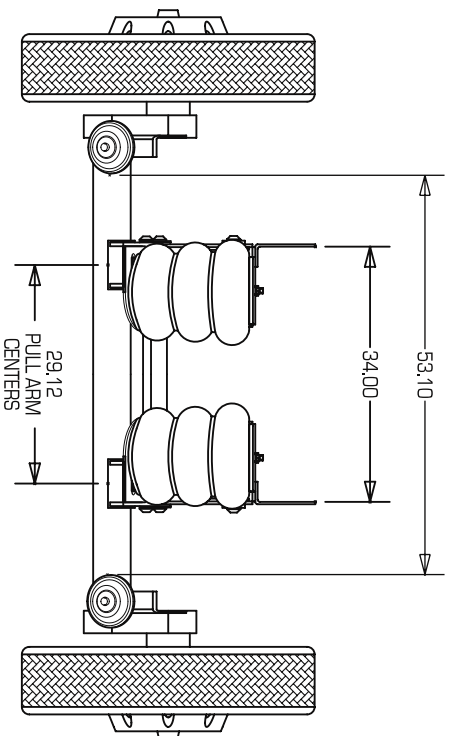
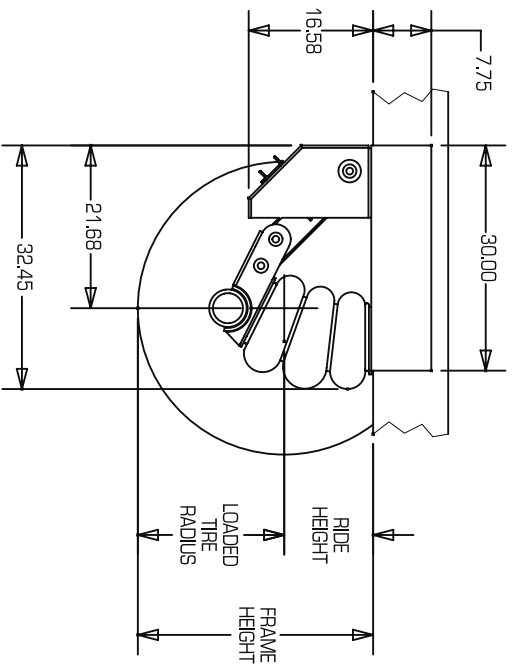
NON-STEER SERIES

Demand Durability...Select Silent Drive



NOTES:

1. CAPACITY: 14,000
2. NON-STEERING PUSHER FOR ROLL OFFS.
3. RIDE HEIGHT: 8" - 11"
4. LIFT: 5" - 8"
5. WHEN LIFTED THE TOP OF THE AXLE IS 6-1/2" BELOW THE BOTTOM OF THE FRAME.



v1.2 dt12.14.05 tm7.47.47