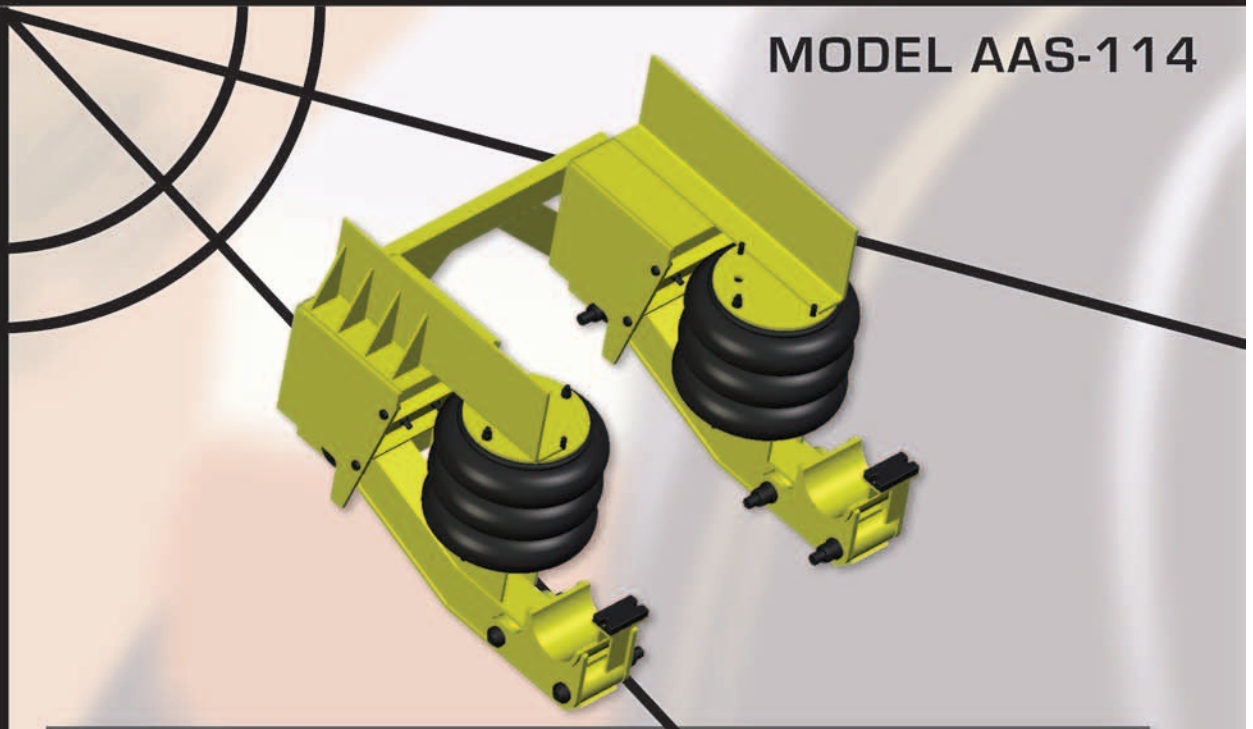


**MODEL AAS-114**

**STEERABLE SERIES**



#### AAS-114 FEATURES

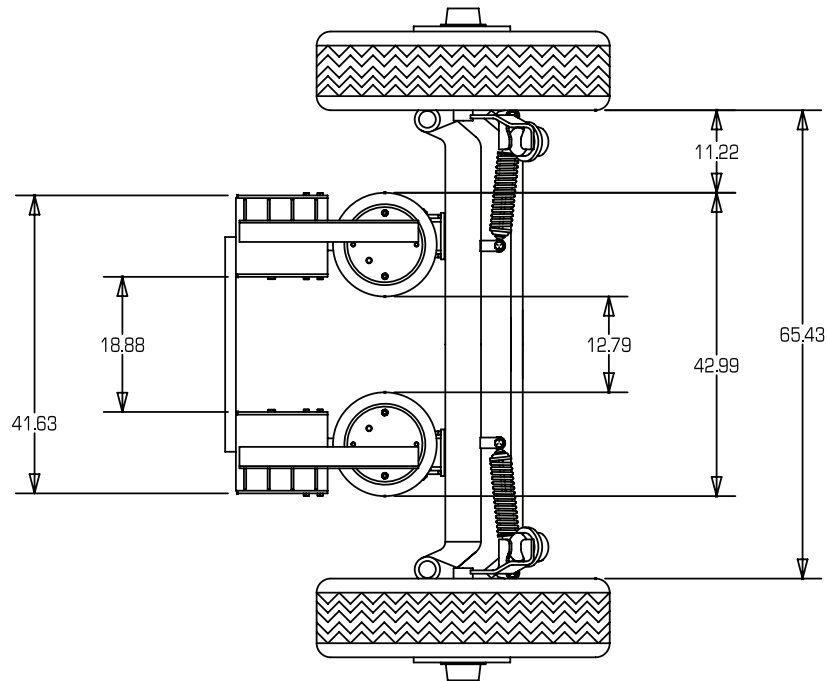
AIR RIDE/AIR LIFT:	Provides a smooth ride and maximum cargo protection. Airsprings within hangers lift axle when not in use.
CAPACITY:	14,000 lbs.
SELF-STEERING AXLE:	Offers longer tire life and better vehicle handling. Features leading kingpins for optimum performance.
HIGH LIFT:	Up to 10 inches. Intended for trucks with high frame heights.
AXLE TRAVEL:	13 inches total, lift and rebound.
LOW MAINTENANCE:	Durable urethane bushings at all pivot points. No lubrication required.

**v.001 d.11.27.2005**

Silent Drive Inc.  
Industrial Air Park - P.O. Box 227  
Orange City, Iowa 51041  
PH. 712.737.4865 FAX 712.737.2865  
TF. 800-658-3866 WEB [www.silentdrive.com](http://www.silentdrive.com)

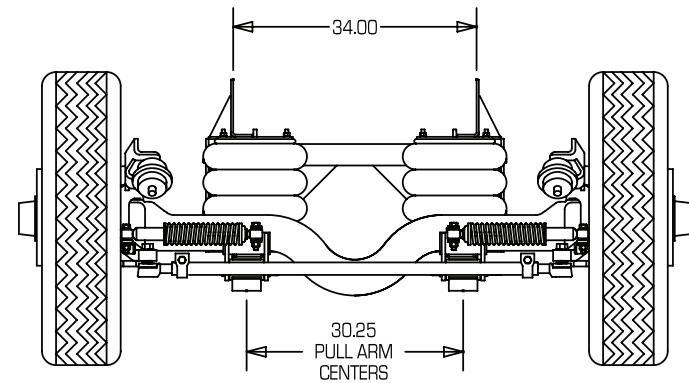
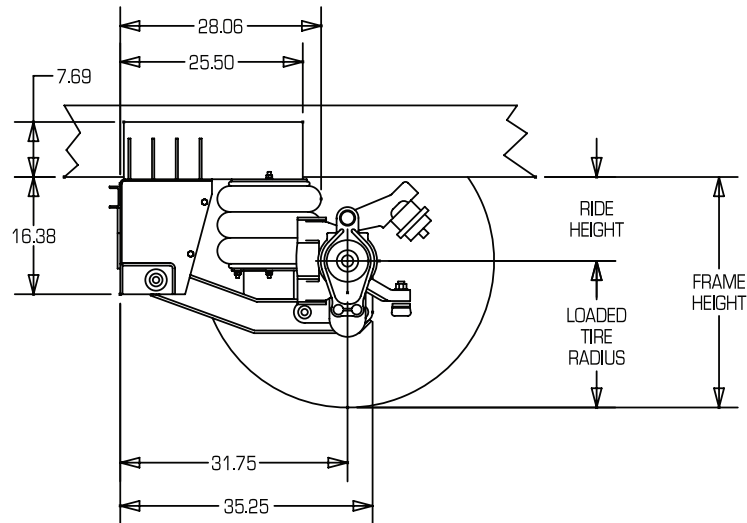


**Demand Durability...Select Silent Drive**



NOTES:

1. CAPACITY: 14,000
2. PUSHER OR TAG, SELF STEERING, HIGH FRAME OR LOW PROFILE TIRES.  
(SINGLE TIRES ONLY)
3. RIDE HEIGHT: TAG 13" - 15" / PUSHER 11" - 13"
4. LIFT: 8" - 10"
5. WHEN LIFTED THE TOP OF THE AXLE IS 2-1/2" BELOW THE BOTTOM OF THE FRAME.



v1.2 dt12.14.05 tm7.47.47