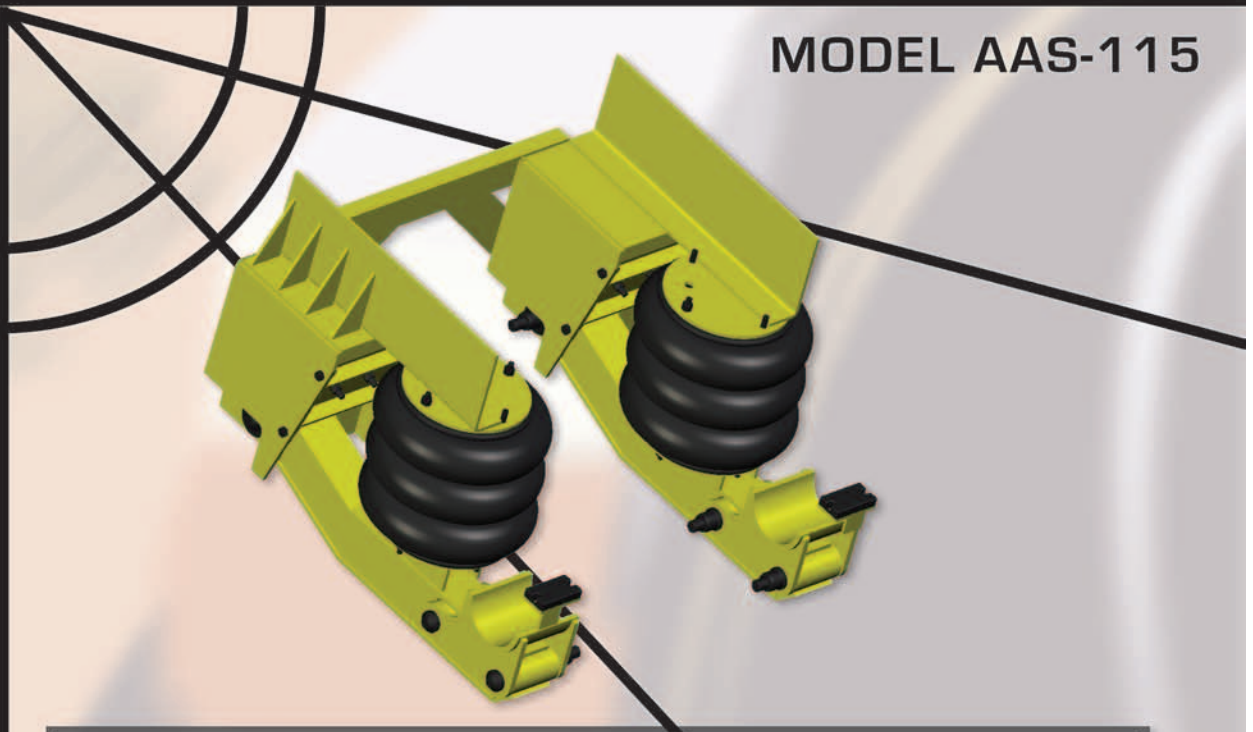


MODEL AAS-115

STEERABLE SERIES



#### AAS-115 FEATURES

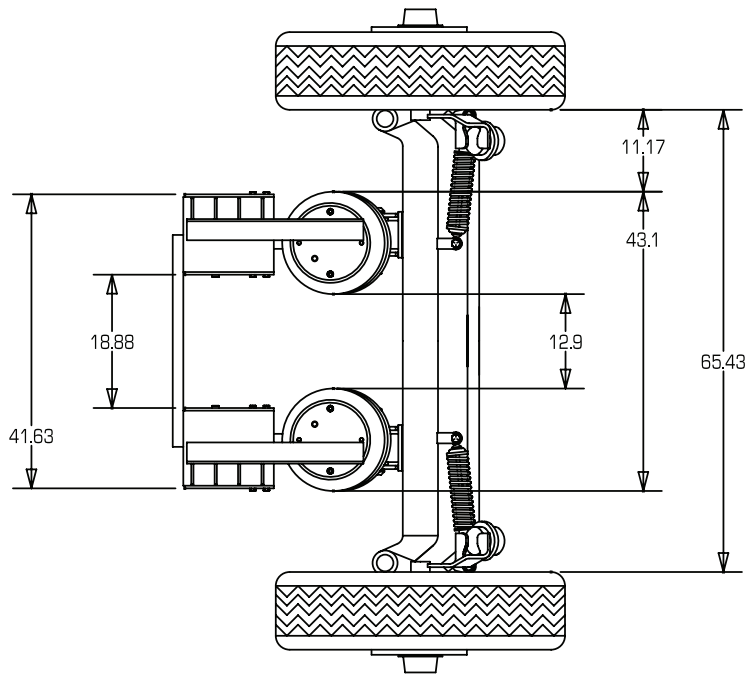
AIR RIDE/AIR LIFT:	Provides a smooth ride and maximum cargo protection. Airsprings within hangers lift axle when not in use.
CAPACITY:	13,500 lbs.
MAXIMUM LIFT:	Up to 11 inches.
AXLE TRAVEL:	14 inches total, lift and rebound.
LOW MAINTENANCE:	Durable urethane bushings at all pivot points. No lubrication required.
SELF-STEERING AXLE:	Offers longer tire life and better vehicle handling. Features leading kingpin for optimum performance.

v.001 d.11.27.2005

Silent Drive Inc.  
Industrial Air Park - P.O. Box 227  
Orange City, Iowa 51041  
PH. 712.737.4865 FAX 712.737.2865  
TF. 800-658-3866 WEB [www.silentdrive.com](http://www.silentdrive.com)

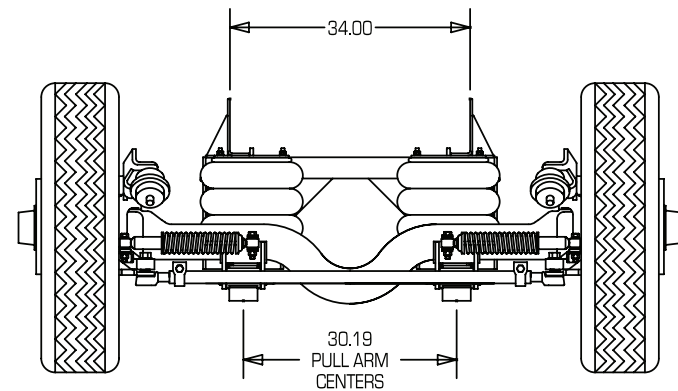
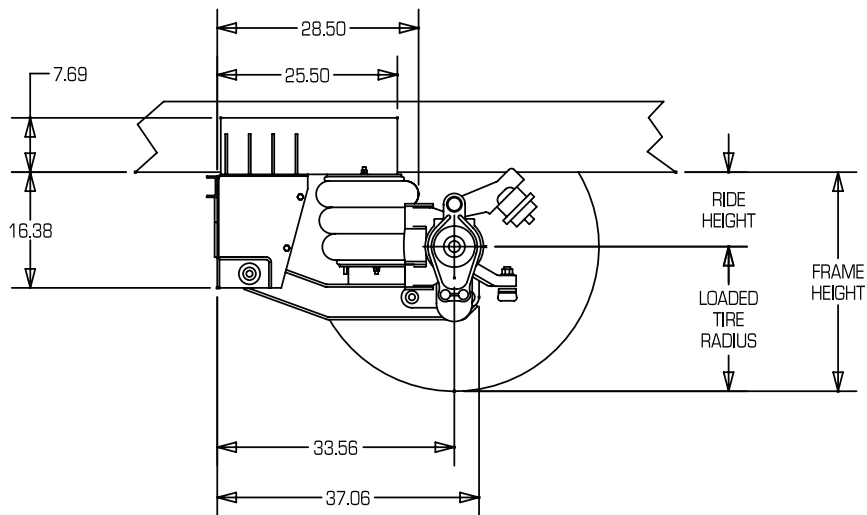


**Demand Durability...Select Silent Drive**



NOTES:

1. CAPACITY: 13,500
2. PUSHER OR TAG, SELF STEERING, HIGH FRAME OR LOW PROFILE TIRES.  
(SINGLE TIRES ONLY)
3. RIDE HEIGHT: TAG 9" - 14" / PUSHER 7" - 12"
4. LIFT: 6" - 11"
5. WHEN LIFTED THE TOP OF THE AXLE IS 1/2" BELOW THE BOTTOM OF THE FRAME.



v1.2 dt12.14.05 tm7.47.47