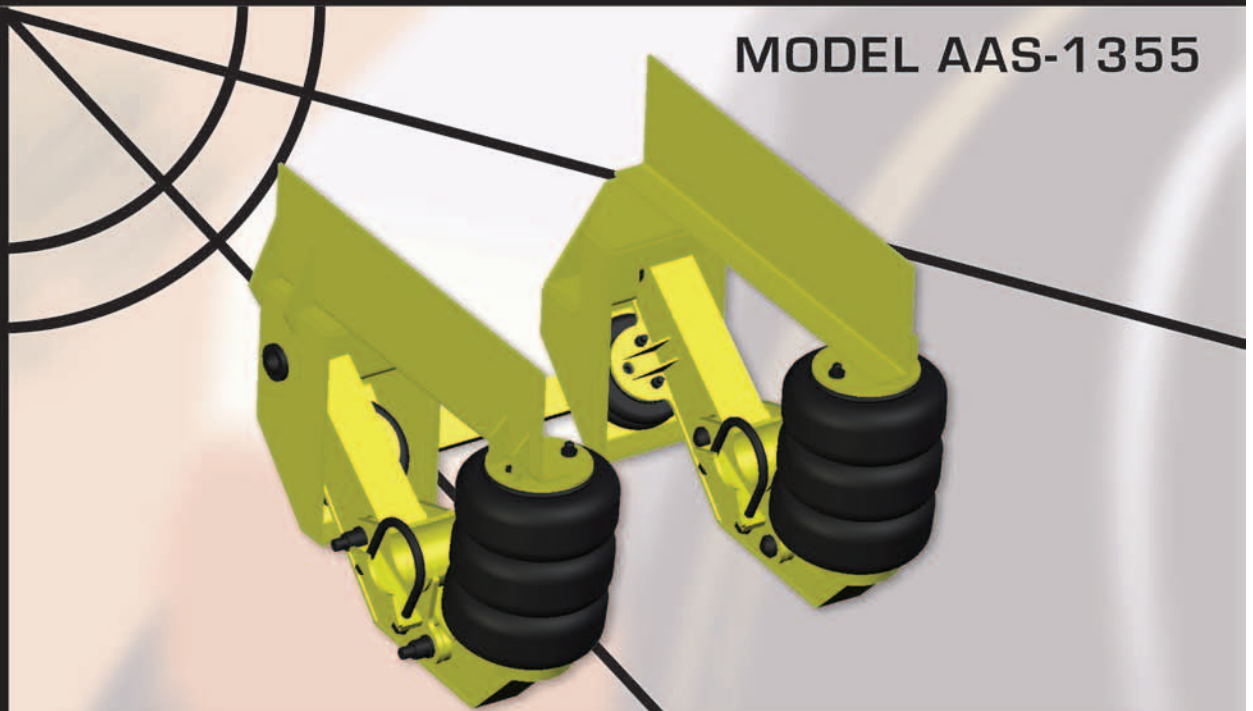


**MODEL AAS-1355**

**STEERABLE SERIES**



**AAS-1355 FEATURES**

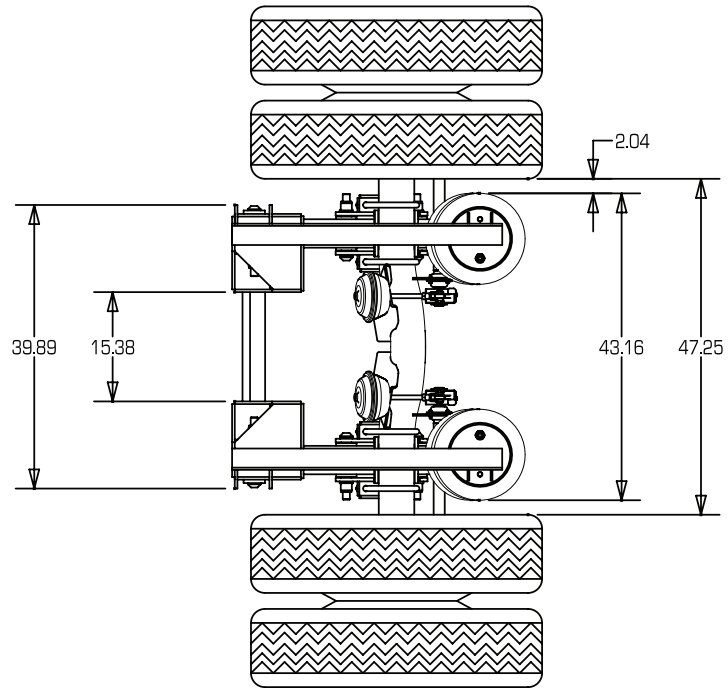
- |                              |   |
|------------------------------|---|
| <b>AIR RIDE/AIR LIFT:</b>    | Provides a smooth ride and maximum cargo protection. Airsprings within hangers lift axle when not in use.                           |
| <b>CAPACITY:</b>             | 20,000 lbs.   |
| <b>MAXIMUM LIFT:</b>         | Up to 7 inches.   |
| <b>APPLICATION:</b>          | May be used as a tag or a pusher.<br>Offers the maximum stability possible.<br>Angled hanger & arm design for improved performance. |
| <b>QUALITY CONSTRUCTION:</b> | Durable urethane bushings at all pivot points.<br>No lubrication required.  |

**v.001 d.11.27.2005**

Silent Drive Inc.  
Industrial Air Park - P.O. Box 227  
Orange City, Iowa 51041  
PH. 712.737.4865 FAX 712.737.2865  
TF. 800-658-3866 WEB [www.silentdrive.com](http://www.silentdrive.com)

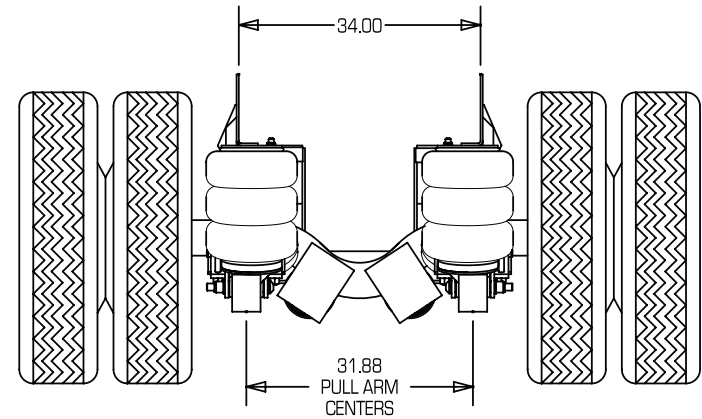
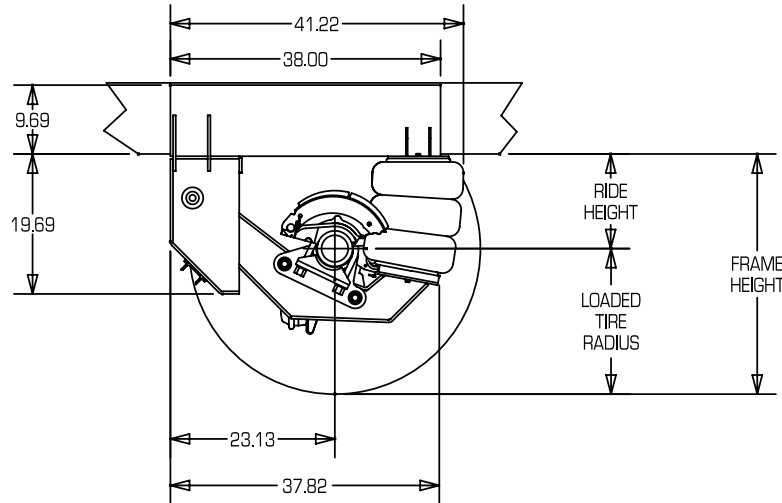


**Demand Durability...Select Silent Drive**



NOTES:

1. CAPACITY: 20,000
2. PUSHER OR TAG, NON-STEERING AXLE.
3. RIDE HEIGHT: 11" - 13".
4. LIFT: 5" - 7"
5. WHEN LIFTED THE TOP OF THE AXLE IS 3-1/2" BELOW THE BOTTOM OF THE FRAME.



v1.2 dt12.14.05 tm7.47.47