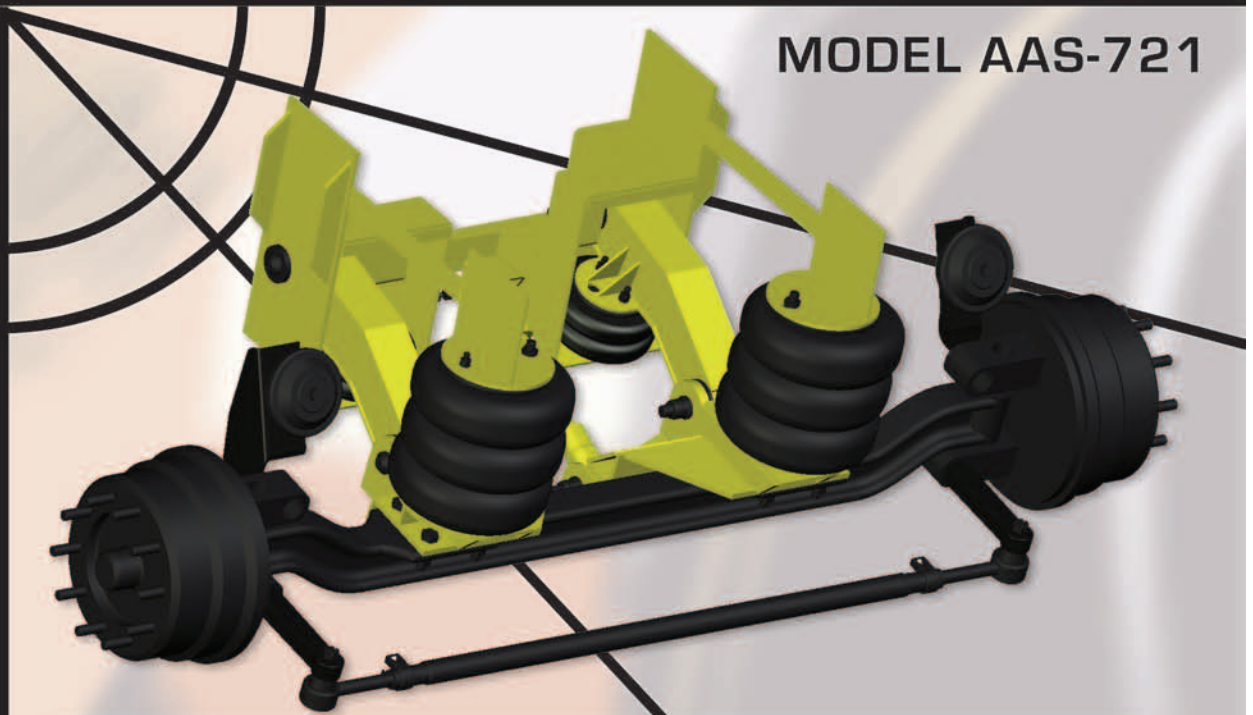


**MODEL AAS-721**



**STEERABLE SERIES**

### AAS-721 FEATURES

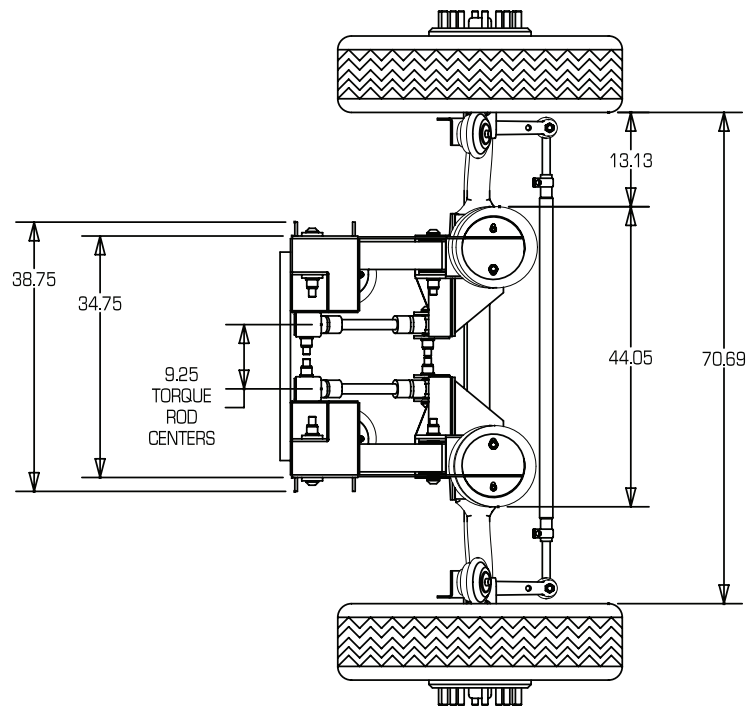
- |                       |  |
|-----------------------|--|
| AIR RIDE/AIR LIFT:    | Provides a smooth ride and maximum cargo protection. Airsprings lift axle when not in use. |
| CAPACITY:             | 13,000 lbs.  |
| MAXIMUM LIFT:         | Up to 8 inches.  |
| LOW MAINTENANCE:      | Durable bushings at all pivot points. No lubrication required.                             |
| SELF-STEERING AXLE:   | Offers longer tire life and better vehicle handling.                                       |
| PARALLELOGRAM DESIGN: | Maintains a constant kingpin angle through the full axle travel.                           |

**v.001 d.11.27.2005**

Silent Drive Inc.  
Industrial Air Park - P.O. Box 227  
Orange City, Iowa 51041  
PH. 712.737.4865 FAX 712.737.2865  
TF. 800-658-3866 WEB [www.silentdrive.com](http://www.silentdrive.com)

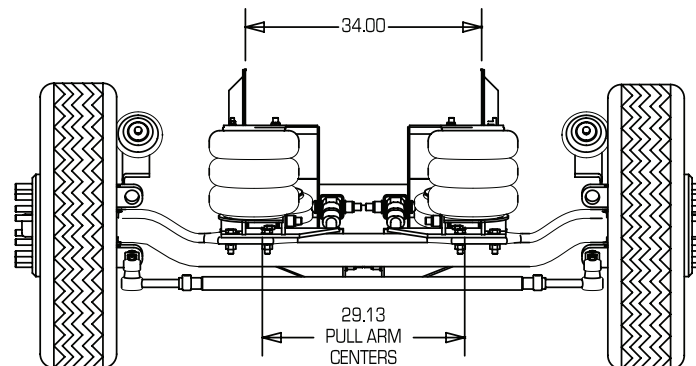
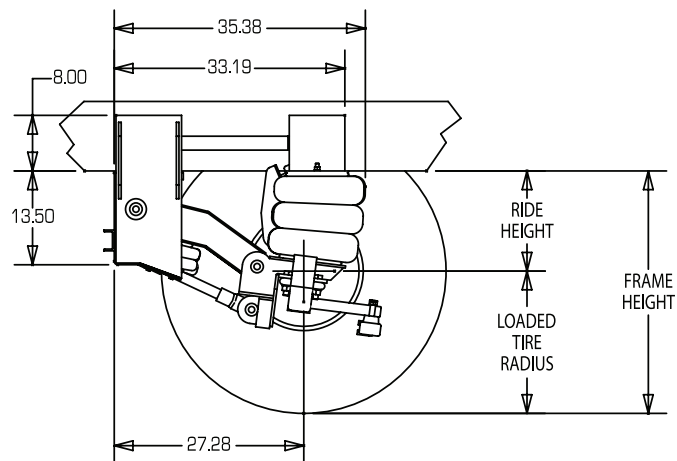


**Demand Durability...Select Silent Drive**



NOTES:

1. CAPACITY: 13,000
2. DUAL PUSHER OR TAG, UTILIZES FRONT STEERING AXLE.  
(SINGLE TIRES ONLY)
3. RIDE HEIGHT: 11" - 13" (3.5" AXLE DROP)  
9" - 11" (5.5" AXLE DROP)
4. LIFT: 6" - 8"
5. WHEN LIFTED THE TOP OF THE AXLE IS 7-3/4" BELOW THE BOTTOM OF THE FRAME.



v1.2 dt12.14.05 tm7.47.47