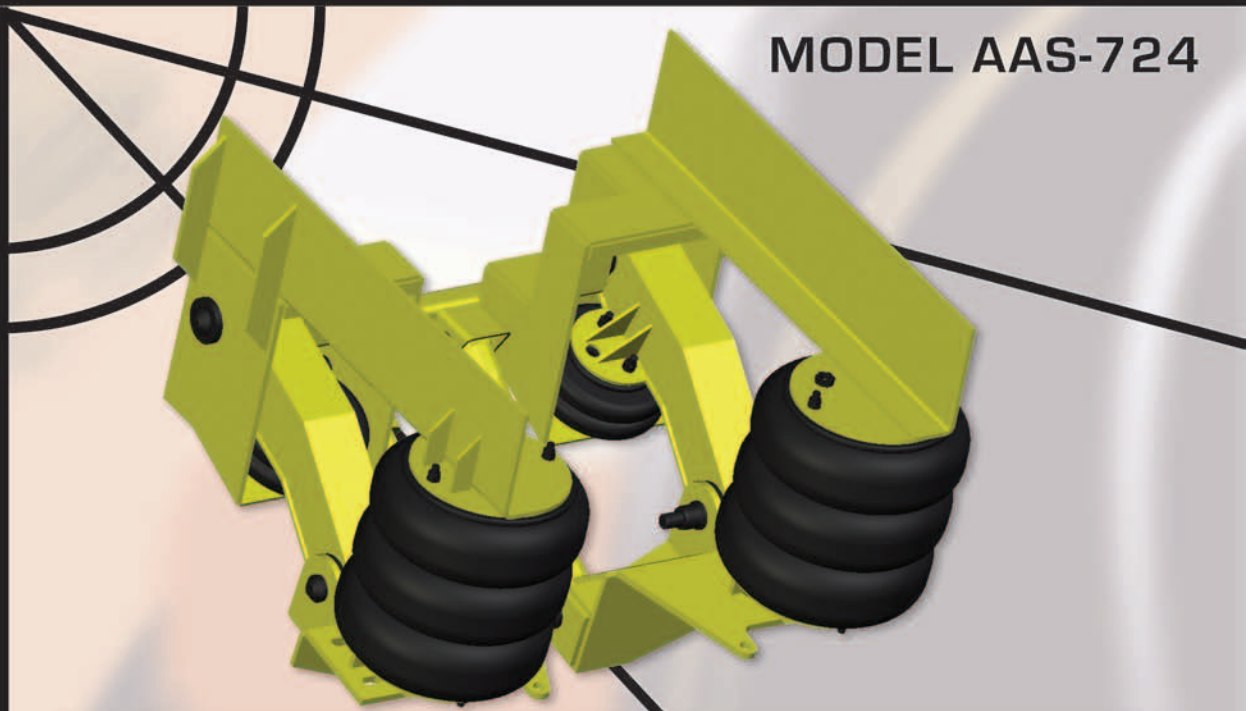


MODEL AAS-724

STEERABLE SERIES



AAS-724 FEATURES

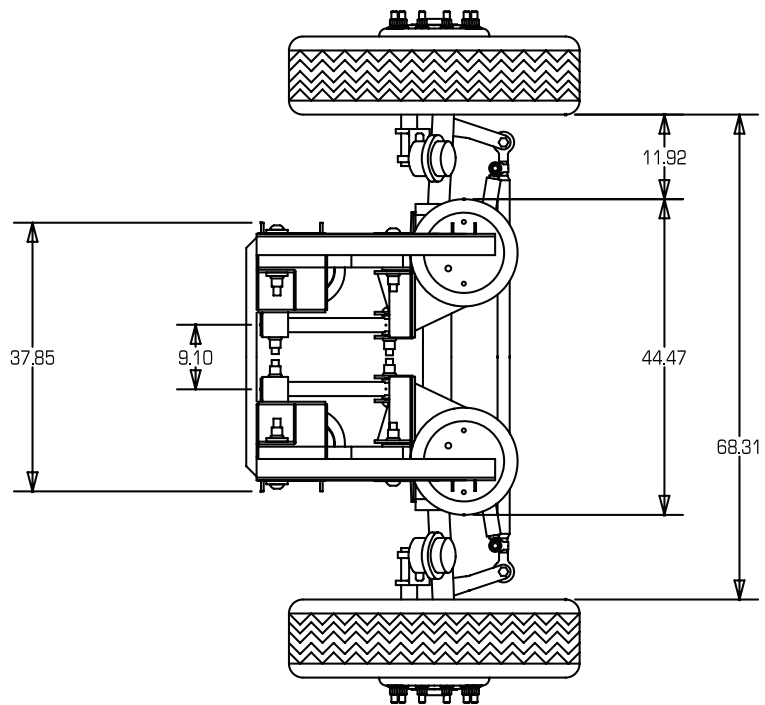
- | | |
|-----------------------|--|
| AIR RIDE/AIR LIFT: | Provides a smooth ride and maximum cargo protection. Airsprings lift axle when not in use. |
| CAPACITY: | 20,000 lbs. |
| MAXIMUM LIFT: | Up to 8 inches. |
| LOW MAINTENANCE: | Durable bushings at all pivot points. No lubrication required. |
| SELF-STEERING AXLE: | Offers longer tire life and better vehicle handling. |
| PARALLELOGRAM DESIGN: | Maintains a constant kingpin angle through the full axle travel. |

v.001 d.11.27.2005

Silent Drive Inc.
Industrial Air Park - P.O. Box 227
Orange City, Iowa 51041
PH. 712.737.4865 FAX 712.737.2865
TF. 800-658-3866 WEB www.silentdrive.com

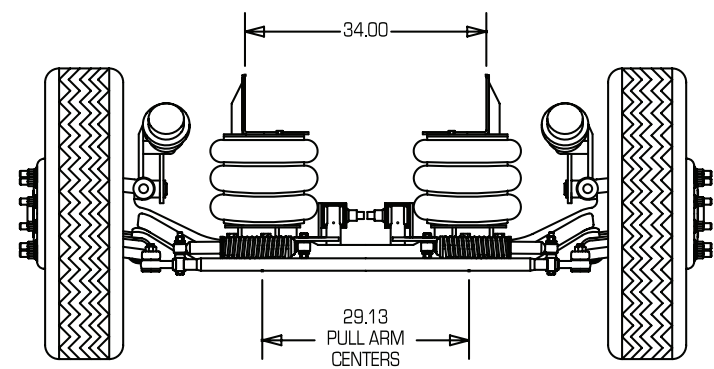
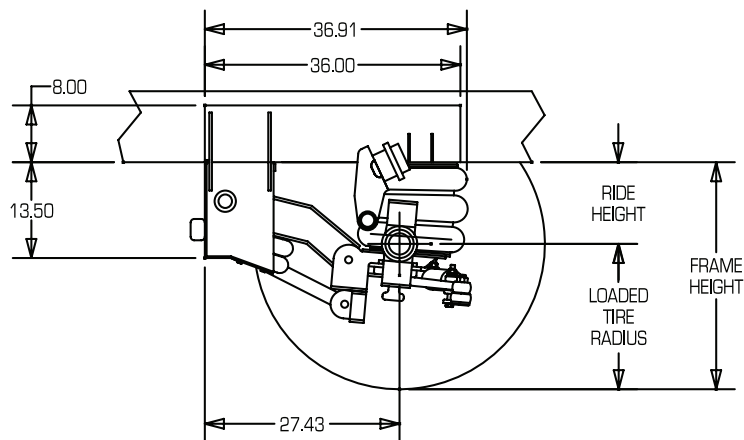


Demand Durability...Select Silent Drive



NOTES:

1. CAPACITY: 20,000
2. DUAL PUSHER OR TAG, UTILIZES FRONT STEERING AXLE.
(SINGLE TIRES ONLY)
3. RIDE HEIGHT: 8" - 12" (AXLE DROP 3-1/2")
4. LIFT: 4" - 8"
5. WHEN LIFTED THE TOP OF THE AXLE IS 7-1/2" BELOW THE BOTTOM OF THE FRAME.
6. 425/65R22.5 TIRE SHOWN.



v1.2 dt12.14.05 tm7.47.47