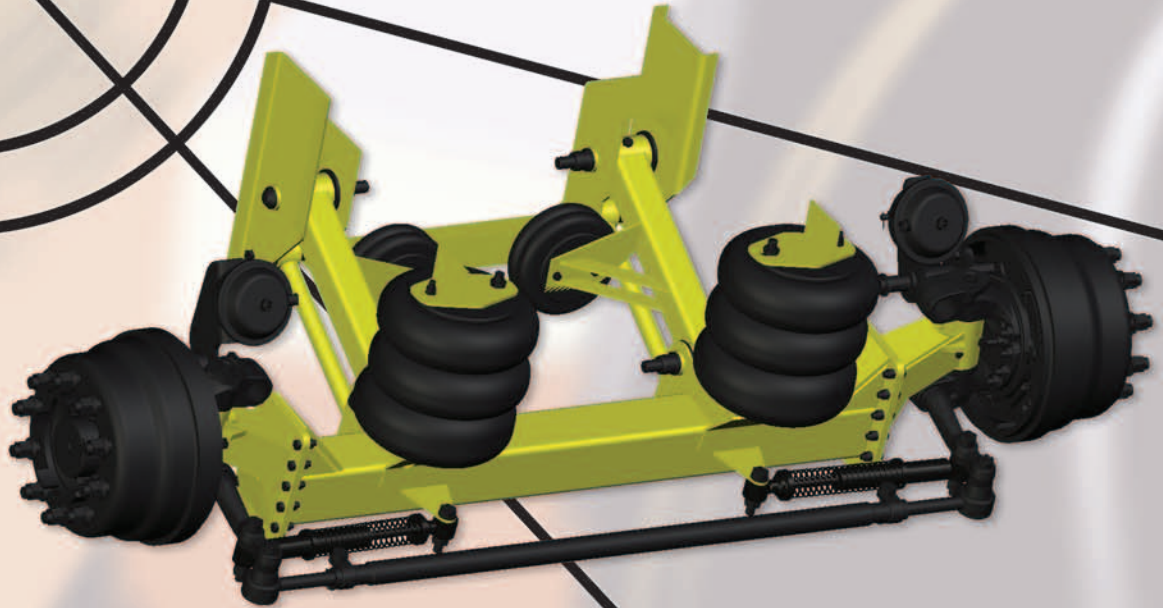


MODEL AAS-727-SH



AAS-727-SH FEATURES

LIGHT WEIGHT:	Light weight design using high strength steel.
AIR RIDE/AIR LIFT:	Provides a smooth ride and maximum cargo protection. Air springs lift axle when not in use.
CAPACITY:	13,000 lbs.
MAXIMUM LIFT:	Up to 8 inches.
LOW MAINTENANCE:	Durable bushings at all pivot points. No lubrication required.
SELF-STEERING AXLE:	Offers longer tire life, better vehicle handling and light weight design. Bolted axle ends for greater ride height range.
ADJUSTABLE AXLE:	Fabrication axle provides a ride height range of 6 to 13 inches.
PARALLELOGRAM DESIGN:	Maintains a constant kingpin angle through the full axle travel.

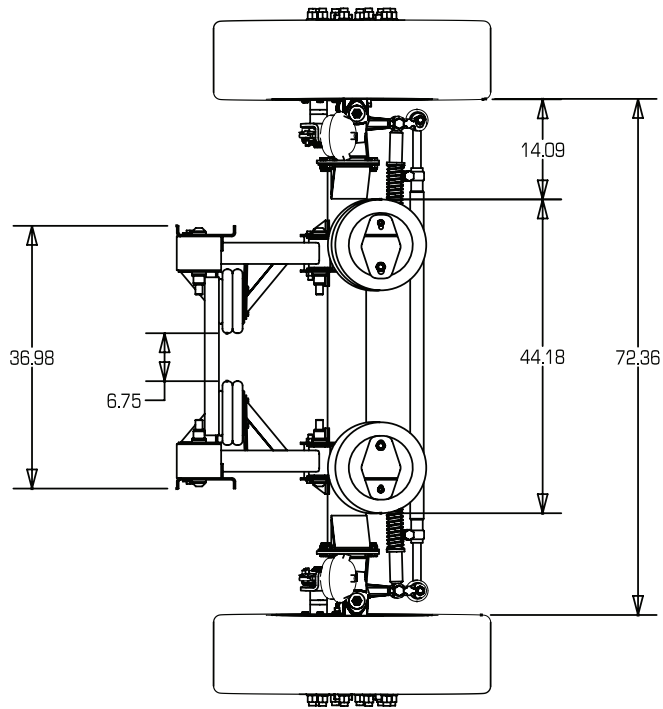
v.001 d.11.27.2005

Silent Drive Inc.
Industrial Air Park - P.O. Box 227
Orange City, Iowa 51041
PH. 712.737.4865 FAX 712.737.2865
TF. 800-658-3866 WEB www.silentdrive.com



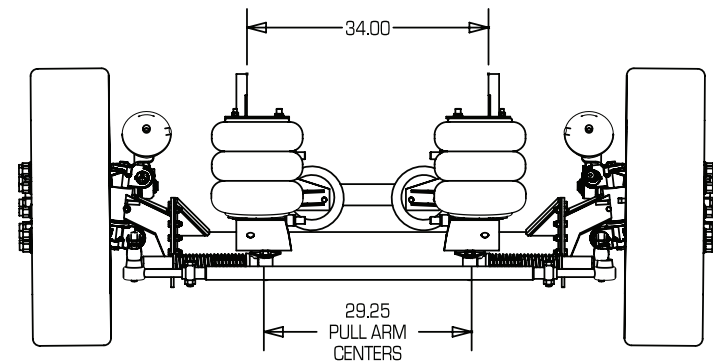
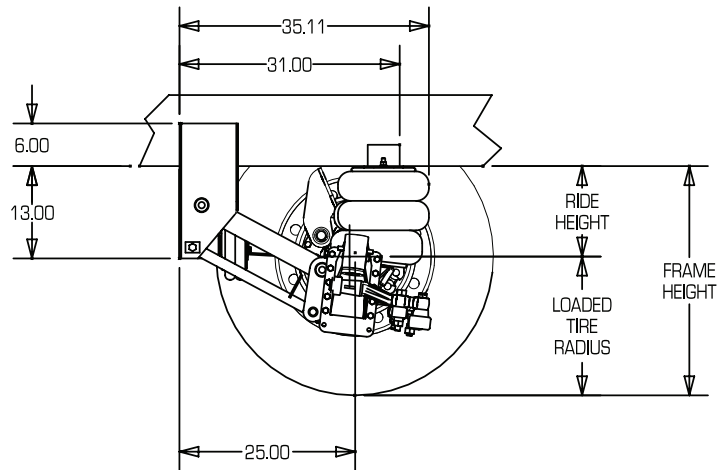
STEERABLE SERIES

Demand Durability...Select Silent Drive



NOTES:

1. CAPACITY: 13,000
2. DUAL PUSHER(S) OR TAG, UTILIZES FABRICATED ADJUSTABLE STEERING AXLE.
3. RIDE HEIGHT: 13" - 15" (AXLE DROP 1.5")
 11" - 13" (AXLE DROP 3.5")
 9" - 11" (AXLE DROP 5.5")
4. LIFT: 6" - 8"
5. WHEN LIFTED THE TOP OF THE AXLE IS 7-3/4" BELOW THE BOTTOM OF THE FRAME.



v1.2 dt12.14.05 tm7.47.47