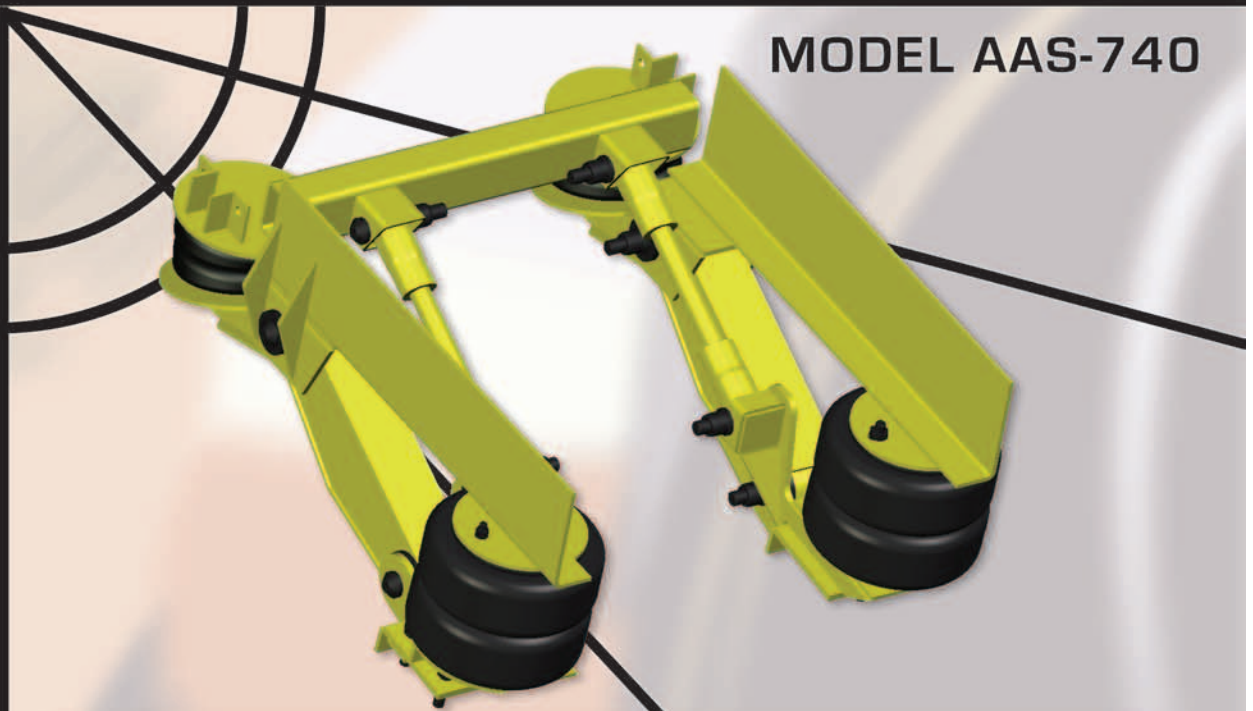


MODEL AAS-740

STEERABLE SERIES



AAS-740 FEATURES

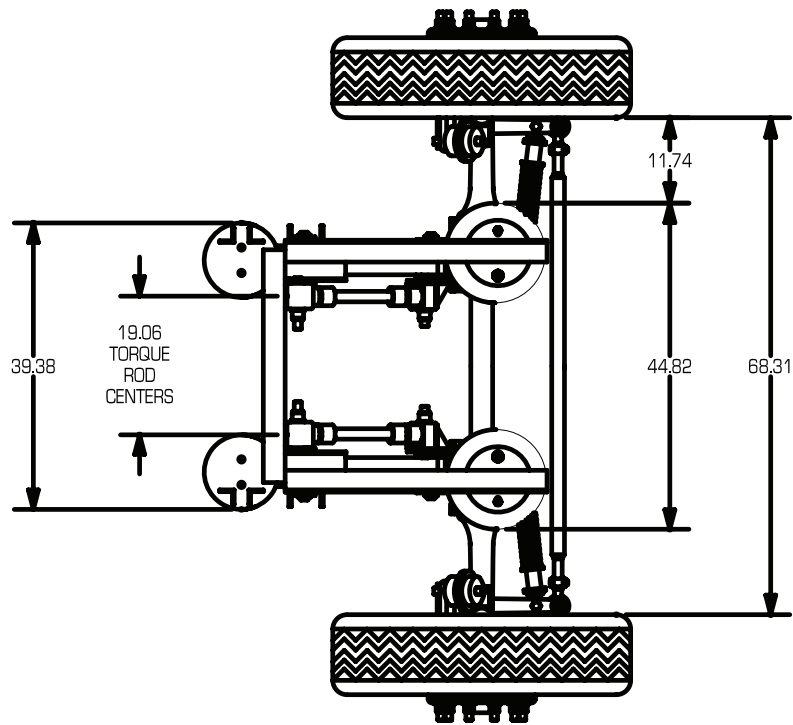
| | |
|-----------------------|--|
| AIR RIDE/AIR LIFT: | Provides a smooth ride and maximum cargo protection. Air springs lift axle when not in use. |
| CAPACITY: | 13,000 lbs. |
| MAXIMUM LIFT: | Up to 6 inches. |
| LOW MAINTENANCE: | Durable bushings at all pivot points. No lubrication required. |
| SELF-STEERING AXLE: | Offers longer tire life and better vehicle handling. |
| PARALLELOGRAM DESIGN: | Maintains a constant kingpin angle through the full axle travel. Steerable lift axle for lower frame trucks. |

v.001 d.11.27.2005

Silent Drive Inc.
Industrial Air Park - P.O. Box 227
Orange City, Iowa 51041
PH. 712.737.4865 FAX 712.737.2865
TF. 800-658-3866 WEB www.silentdrive.com

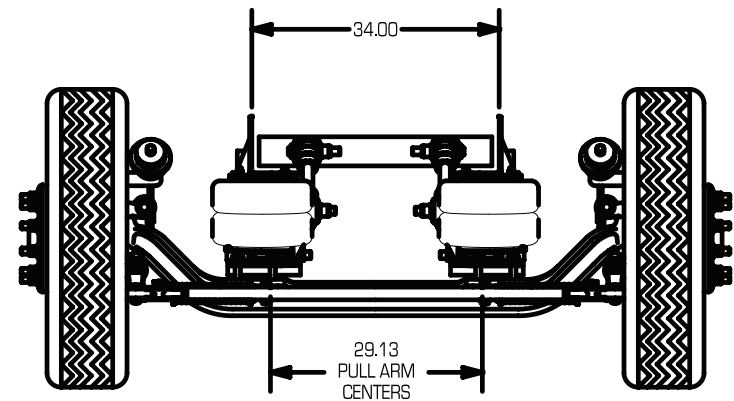
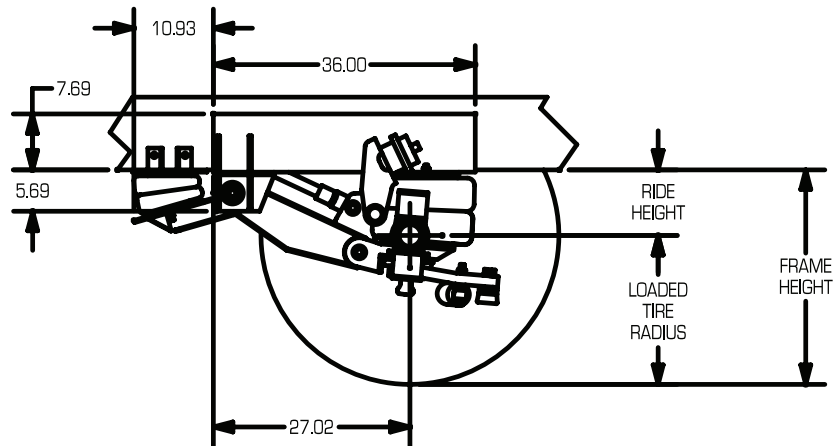


Demand Durability...Select Silent Drive



NOTES:

1. CAPACITY: 13,000
2. PUSHER OR TAG, UTILIZES FRONT STEERING AXLE.
(SINGLE TIRES ONLY)
3. RIDE HEIGHT: 8" - 9" (AXLE DROP 3.5")
6" - 7" (AXLE DROP 5.5")
4. LIFT: 5" - 6"
5. WHEN LIFTED THE TOP OF THE AXLE IS 6" BELOW THE BOTTOM OF THE FRAME.



v1.2 dt12.14.05 tm7.47.47