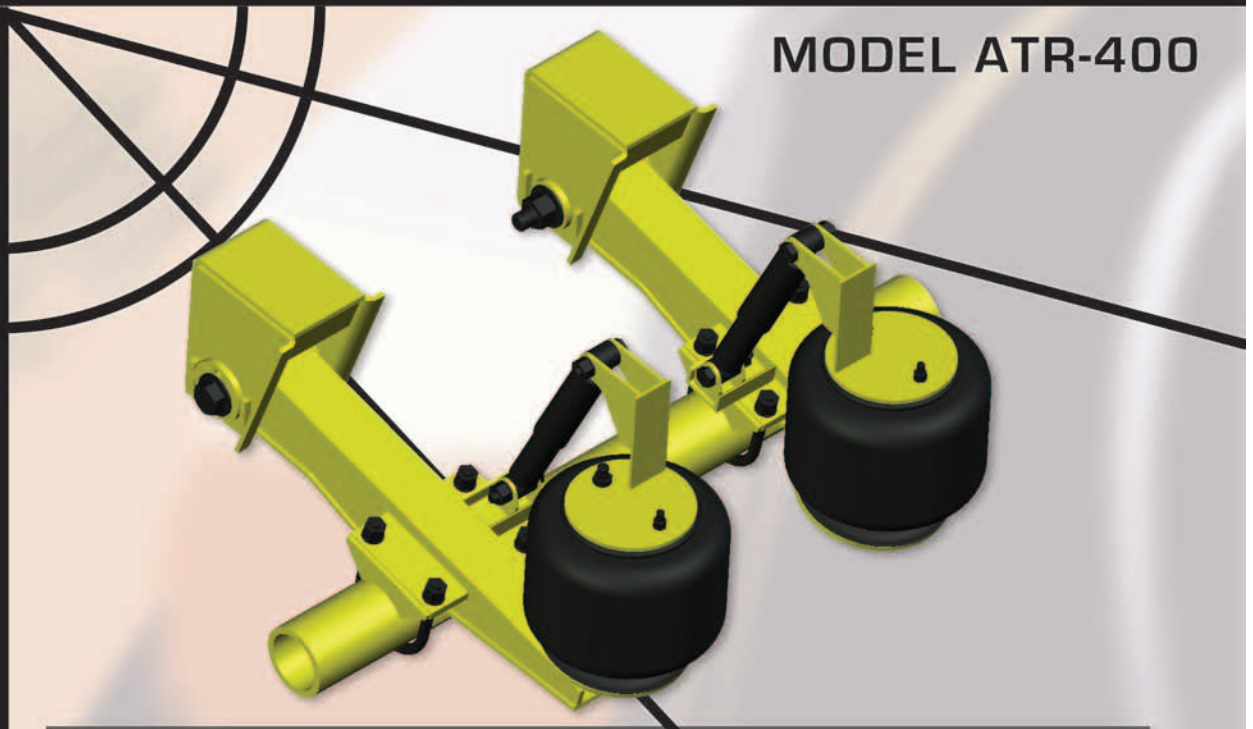


**MODEL ATR-400**

**TRAILER SERIES**



**ATR-400 SERIES FEATURES**

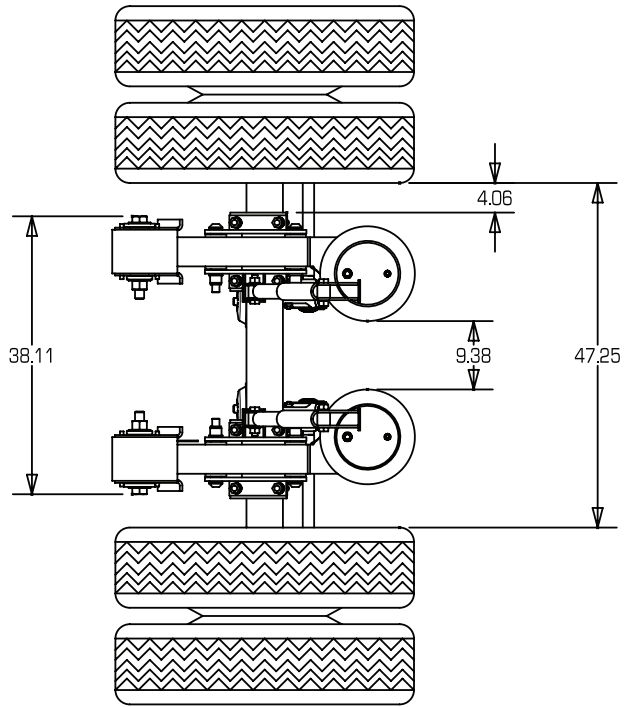
AIR RIDE:	Provides a smooth ride and maximum cargo protection.
RIDE HEIGHTS:	4 to 22 inches.
SUSPENSION CAPACITY:	25,000 lbs.
AXLE:	71 1/2" to 77 1/2" Track Straight Non-Steer.
AXLE CAPACITY:	22,500 lbs..
AXLE TRAVEL:	6 inches minimum.
LOW MAINTENANCE:	Durable urethane bushings at all pivot points. No lubrication required.
OPTIONS:	19.5 Air disk brakes available on 6 inch ride heights.

**v.001 d.11.27.2005**

Silent Drive Inc.  
Industrial Air Park - P.O. Box 227  
Orange City, Iowa 51041  
PH. 712.737.4865 FAX 712.737.2865  
TF. 800-658-3866 WEB [www.silentdrive.com](http://www.silentdrive.com)

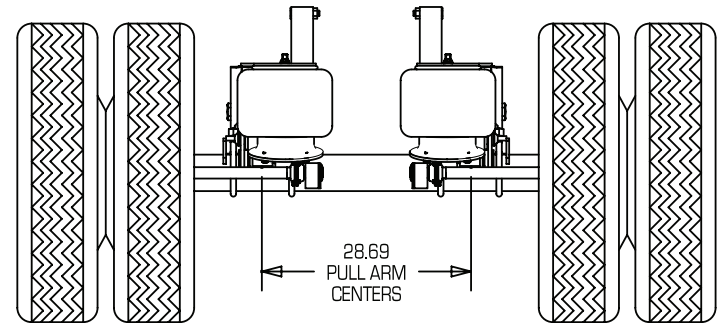
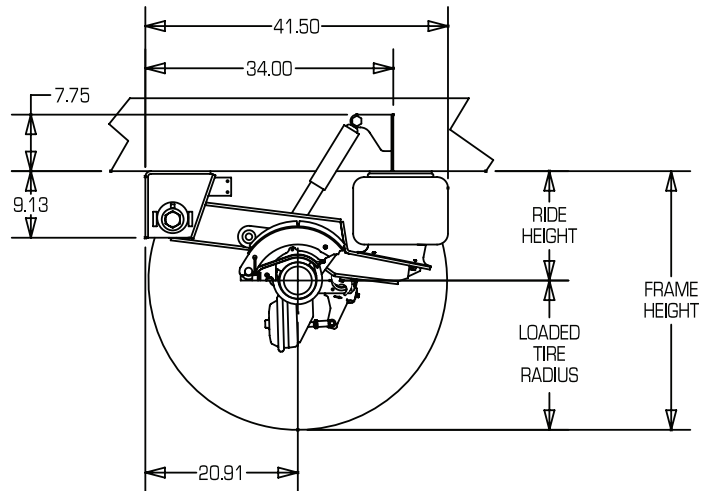


**Demand Durability...Select Silent Drive**



NOTES:

1. CAPACITY: 25,000.
2. PRIMARY, 71-1/2" to 77-1/2" NON-STEERING AXLE.
3. RIDE HEIGHTS: 4" - 22".
4. AXLE TRAVEL: 6" MINIMUM.



v1.2 dt12.14.05 tm7.47.47